



Carla Jordão Canella Gomes

**Aspectos técnicos e regulamentares
para redução do nível de pressão
sonora no entorno de helipontos na
cidade do Rio de Janeiro**

Dissertação de Mestrado

Dissertação apresentada como requisito parcial para obtenção do grau de Mestre pelo Programa de Pós-Graduação em Engenharia Urbana e Ambiental do Departamento de Engenharia Civil e Ambiental da PUC-Rio.

Orientador: Prof. Celso Romanel
Coorientador: Prof. Marcelo de Jesus Rodrigues da Nóbrega

Rio de Janeiro
Julho de 2020



Carla Jordão Canella Gomes

**Aspectos técnicos e regulamentares
para redução do nível de pressão
sonora no entorno de helipontos na
cidade do Rio de Janeiro**

Dissertação apresentada como requisito parcial
para obtenção do grau de Mestre pelo Programa
de Pós-Graduação em Engenharia Urbana e
Ambiental da PUC-Rio. Aprovada pela Comissão
Examinadora abaixo.

Prof. Celso Romanel

Orientador

Departamento de Engenharia Civil e Ambiental – PUC-Rio

Prof. Marcelo de Jesus Rodrigues da Nóbrega

Coorientador

CEFET/RJ

Prof. Jean Marcel de Faria Novo

Tribunal de Contas do Estado do Rio de Janeiro - TCE/RJ

Prof. Nélio Domingues Pizzolato

Departamento de Engenharia Industrial – PUC-Rio

Prof. Flavio Maldonado Bentes

Fundacentro

Rio de Janeiro, 02 de julho de 2020

Todos os direitos reservados. É proibida a reprodução total ou parcial do trabalho sem a autorização da universidade, do autor e do orientador.

Carla Jordão Canella Gomes

Graduada em Arquiteta e Urbanista formada pela Universidade Federal Fluminense (UFF, 1991), e em Pedagogia com ênfase em Políticas Culturais e Educação (UFF, 2013), Pós-graduada em Direito Urbanístico e Ambiental (PUC-Minas, 2016), Pós-graduada em Artes Plásticas (UNILASSALLE, 2010). Atualmente trabalho como arquiteta na Secretaria Municipal de Urbanismo da Prefeitura da Cidade do Rio de Janeiro.

Ficha Catalográfica

Gomes, Carla Jordão Canella

Aspectos Técnicos e Regulamentares para redução do nível de pressão sonora no entorno de helipontos na cidade do Rio de Janeiro / Carla Jordão Canella Gomes; orientador: Celso Romanel; coorientador: Marcelo de Jesus Rodrigues da Nóbrega. – 2020.

102 f.; il. (color); f.; 30,0 cm

Dissertação (mestrado) – Pontifícia Universidade Católica do Rio de Janeiro, Departamento de Engenharia Civil, Programa de Pós-Graduação em Engenharia Urbana e Ambiental, 2020.

Inclui bibliografia

Engenharia Civil – Teses. 2. Engenharia Urbana e Ambiental – Teses. 3. Helipontos. 4. Ruído. 5. Planejamento Urbano. 6. Tecnologias Ambientais. 7. Legislação Urbano-ambiental. I. Romanel, Celso; coorientador, Nóbrega, Marcelo de Jesus Rodrigues da. II. Pontifícia Universidade Católica do Rio de Janeiro. Programa de Pós-Graduação em Engenharia Urbana e Ambiental. III. Título.

CDD: 624

Agradecimentos

Agradeço a Deus, pela vida e pelo caminho que me guiou até aqui;

Agradeço a meu esposo e filhos, por valorizarem o meu trabalho, compreendendo o tempo dedicado aos estudos e a pesquisa;

Agradeço a Pontifícia Universidade Católica do Rio de Janeiro e a seu corpo docente por compartilharem os seus saberes, fruto de trabalho acadêmico e profissional por eles realizados;

Agradeço a *Technische Universitat Braunschweig* da Alemanha e a seu corpo docente, por compartilharem práticas e tecnologias ambientais de seu país;

Agradeço ao meu orientador Professor Dr. Celso Romanel, por sua presteza, delicadeza e colaboração;

Agradeço ao meu coorientador Professor Dr. Marcelo de Jesus Rodrigues da Nóbrega, por apresentar-me na Secretaria Municipal de Meio Ambiente, permitindo o acesso aos processos e documentos acerca do assunto;

Agradeço ao professor Jean Marcel, da disciplina Metodologia da Pesquisa, pelo seu conhecimento e tempo dedicados a cada um de nós;

Agradeço aos funcionários da parte acadêmica e de apoio dessa instituição;

Agradeço a Secretaria Municipal de Meio Ambiente do Município do Rio de Janeiro, e, por conseguinte seus técnicos, sempre solícitos ao atendimento as minhas demandas de pesquisa;

O presente trabalho foi realizado com apoio da Coordenação de Aperfeiçoamento de Pessoal de Nível Superior - Brasil (CAPES) - Código de Financiamento 001

Resumo

Gomes, Carla Jordão Canella; Romanel, Celso (Orientador); Nóbrega; Marcelo de Jesus Rodrigues da (Coorientador). **Aspectos Técnicos e Regulamentares para redução do nível de pressão sonora no entorno de helipontos na cidade do Rio de Janeiro**. Rio de Janeiro, 2020. 102p. Dissertação de Mestrado – Departamento de Engenharia Civil e Ambiental, Pontifícia Universidade Católica do Rio de Janeiro.

O fenômeno da urbanização traz consigo o problema de mobilidade urbana nos grandes centros. A necessidade de vencer médias distâncias em um curto espaço de tempo resultou em um aumento na frota mundial de helicópteros. De acordo com os dados coletados na Agência Nacional de Aviação Civil (ANAC, 2019), a frota brasileira de helicópteros, com registro ativo, aumentou substancialmente nos últimos 40 anos, gerando grandes impactos na implantação de helipontos em áreas urbanas já consolidadas. Um desses impactos diz respeito à poluição sonora e consequentemente os efeitos decorrentes do ruído nas comunidades vizinhas aos locais de pouso e decolagem dessas aeronaves. O objetivo desta pesquisa consiste em discutir como compatibilizar os ruídos gerados com a implantação de helipontos em áreas urbanas já consolidadas por meio de modelagem de projeto baseada em marco teórico legal contemporâneo. A metodologia tem início com a revisão de literatura do planejamento urbano e ambiental, com vistas a acrescentar subsídios teóricos aos debates sobre a legislação que orienta e disciplina o licenciamento de helipontos em grandes metrópoles, análise dos pedidos de licenciamento ambiental e urbanístico, tendo como estudo de caso o licenciamento urbano e ambiental de helipontos no município do Rio de Janeiro e as evoluções tecnológicas para mitigação do ruído.

Palavras-chave

Helipontos; ruído; planejamento urbano; tecnologias ambientais; legislação urbano-ambiental.

Extended Abstract

Gomes, Carla Jordão Canella; Romanel, Celso (Advisor); Nobrega; Marcelo de Jesus Rodrigues da (Co-supervisor). **Technical and Regulatory Aspects to reduce the sound pressure level around helipads in the city of Rio de Janeiro.** Rio de Janeiro, 2020. 102p. Dissertação de Mestrado. Departamento de Engenharia Civil e Ambiental, Pontifícia Universidade Católica do Rio de Janeiro.

Introduction

The use of helicopter aircraft has increased dramatically in recent decades. Following countries like Japan, Australia, United Kingdom, France, Canada and the United States, Brazil has the seventh worldwide helicopter fleet. The city of São Paulo in 2005 was considered in the international “ranking”, as the second city in number of helicopters in operation (Alves, 2018). The survey of the number of helicopters in 2013 indicated 2076 registered helicopters, with 70% of the fleet concentrated in the states of São Paulo (723), Rio de Janeiro (467) and Minas Gerais (246).

The Brazilian helicopter fleet has 1398 aircrafts with active registration in May 2018 (reference year: 2017), which corresponds to 14.79% of the total of this type of aircraft, which adds up to 9,452 helicopters. Of the total fleet of registered aircraft, the state of São Paulo has 33% of the fleet, followed by Rio de Janeiro with 20% and Minas Gerais with 11%. (ANAC, 2017) Despite the slight drop in the number of aircraft registered since 2016, the trend line continues to increase.

Brazil has a large territorial area, occupying the fifth place in the world in countries in this category. Since 1927 the air transport sector has evolved with the economy. The 1994 economic stabilization plan leveraged the sector with significant growth in Brazilian tourism, generating an increase in employment and income, mainly after being chosen to host important sporting events on a global scale, such as the World Cup in 2014 and the 2016 Olympic Games, which significantly boosted the Brazilian air transport sector (Santos, 2015).

All this increase in the aeronautical sector brought positive impacts to the economy, mainly in the area of tourism. However, it had a negative impact with regard to noise pollution in the communities surrounding these areas.

Following the same path, the implementation of helipads has caused many disturbances to the neighborhood. Noise pollution from overflights, landings and takeoffs, in addition to the risk of accidents, brought up the issue of urban and environmental licensing of helipads.

Noise pollution is anthropic pollution and is directly related to urbanization processes, which have been exacerbated with industrialization. In addition, it has a specificity, noise leaves no residue, environmental damage concerns the harm that causes health.

It is noted that the concern with urban noise has been increasing in the same proportion as industrial development and population concentration. Consolidated urban areas find it difficult to reconcile activities and enterprises that have high noise levels with the permanence of the population around these areas.

The emergence of new environmental technologies for noise reduction, especially in the airport sector and more specifically for helipads inserted in urban areas, as the case in the city of Rio de Janeiro, has mitigated the discomfort in the surrounding communities in the implementation of these projects, which encouraged research in this sector.

Motivation

Brazilian cities have faced problems in drafting legislation covering both environmental licensing and building helipads. São Paulo, leader in the number of helicopters in the country, prepared studies and projects that culminated in laws and decrees. Porto Alegre prepared studies and a bill to deal with this issue. In Rio de Janeiro, working groups were created to define bills with a view to building and environmental regulation in the sector. This context motivates the elaboration of a dissertation whose main objective is to demonstrate solutions that promote the control of noise pollution through the adoption of preventive and compensatory measures in the implementation of helidecks in consolidated urban areas, making them compatible with these areas. Thus, it is essential that control occurs in the

licensing of this activity in order to preserve human health, through environmental technologies and land use restrictions, in the face of noise pollution.

Objective

Discuss how to make the noise generated compatible with the implementation of helipads in urban areas already consolidated through regulations based on theoretical and contemporary legislative frameworks.

Main goal

- Bibliographic review on noise pollution, especially the airport
- Evaluation of the compatibility of the implementation of helipads, based on a case study in an urban area of the city of Rio de Janeiro, with an assessment of the human behavior of the affected population
- Analysis of Brazilian urban and environmental legislation on the licensing of the activity in question
- Identify compensation measures to control the sound impact on neighboring communities.

Methodology

An exploratory and bibliographic research was carried out, covering the following items:

- Noise;
- Urban planning;
- Environmental planning;
- Resilience;
- Neighborhood Impact Study;
- Environmental technologies to control, compensate and mitigate noise pollution.

The surveys were carried, listing the main variables for the theme. For the case study, a survey was carried out at the Municipal Environment Department, in

addition to collecting data for the development of analysis of the study areas. Among the data obtained, the following stand out:

- Definition of the study area;
- Survey of physical, altimetric and environmental data of the area;
- Urban land use and occupation;
- Study of environmental legislation;
- Research in the area of environmental technologies for noise mitigation;
- Among the limitations for the preparation of the case study are the analysis of environmental impact with regard to local fauna.

In Chapter 2, a literature review was carried out on noise pollution, its legislative milestones, such as the United Nations Conference on the Environment, held in Stockholm in 1972, where environmental issues important for the preservation of the planet began to gain strength. Since 1980, the World Health Organization (WHO, 1999) has warned about the harmful effects of noise pollution in the urban environment through a report on the effects of noise pollution on the human body. An international and national panorama establishes a relationship for the exchange of information and technologies on the subject. Important laws have been enacted in Brazil, such as the National Environment Policy, which establishes in paragraph VI of article 8 the competence to CONAMA to sanction “privately, national norms and standards for pollution control by motor vehicles, aircraft and vessels, by means of hearing of the competent Ministries”.

The Federative Constitution of the Republic of Brazil (1988), defender of sustainable development, favored the development of environmental laws, development in research and participation in international congresses, such as the United Nations Conference - ECO-92 -which occurred in the city of Rio de Janeiro, in 1992, had Agenda 21 as one of its main results, which can be defined as a planning tool for the construction of sustainable societies, in different geographic bases, which reconciles methods of environmental protection, social justice and economical efficiency.

For the determination of what is considered noise pollution, we present Resolution nº. 001 (1990) of the National Environment Council (CONAMA), which regulates the criteria for the emission of noise in commercial, industrial, social or recreational activities, including those of political advertising. It is noticed

that the activities listed in the resolution have an exemplary and non-exhaustive characteristic, so that the noise resulting from urban transport vehicles, such as road, rail, waterway and air, contributes to this list, even because the means of transport are exploited commercially, being a commercial activity, which is mentioned in that resolution. To check the noise limits according to the zoning, CONAMA adopts the assessment levels contained in NBR 10.151 (ABNT, 2019), which provides for the assessment of noise in inhabited areas, aiming at the comfort of the community. This standard sets noise acceptability levels in communities and determines the noise measurement procedure. Item II of CONAMA resolution 001 (Brazil, 1990).

The conceptualization of sound and noise, its forms of propagation and measurement are addressed, in order to allow the quantification of the noise disturbance generated, especially the impact caused by aeronautical noise.

In this same Chapter, the effects of noise on human health due to constant exposure to excessive noise, which compromises the quality of life of the exposed individual, and can be harmful to physical, emotional, mental and social well-being, causing the body to be predisposed to have changes in blood pressure and heart rate, muscle tension, hormone release, lack of attention, sleep disorders, lack of concentration, and irritability, among others.

Chapter 3 presents the helipad as an area intended exclusively for helicopter landing and takeoff. The rules for the design and implementation of this undertaking are set out in the Brazilian Civil Aviation Regulation - RBAC nº 155 (2018), which provides for the guidelines for the physical characteristics of the Heliports defining the data that must be measured or described in the project. Regarding the environmental impact caused by the implementation of helipads, it is the noise level in neighboring communities. ANAC provides in the Brazilian Civil Aviation Regulation nº. 161 (2013), which establishes the Aerodrome Noise Zoning Plan, the positioning of the noise curves and the activities permitted in the areas positioned between them. Also, in this chapter, the evolution of the helicopter was shown, from the conception of the initial idea, the materialization of prototypes, culminating in the current aircraft. Finally, we demonstrate the environmental impact of helicopter noise, as well as the research and implementation of technologies used to mitigate noise pollution. The certification of these aircraft is essential for the management and monitoring of these projects.

Chapter 4 is dedicated to the study of urban planning and its instruments. For each zoning there is an acceptable noise limit for the activities developed there. The implementation of a helipad in a residential area will depend on the distance of the buildings in relation to the project in order to make the noise levels considered acceptable for this area compatible, made available in NBR 10.151 (ABNT, 2019). In this way, the Municipal and State Administration, as an important part in the licensing, acting in the urban and environmental zoning processes, analyzes the compatibility of the new implantation with the uses and activities existing in the Land Occupation and Use Law (LUOS).

The City Statute Law 10.257 (Brazil, 2001), which regulates articles 182 and 183 of the 1988 Federal Constitution, establishes the general guidelines of urban policy and has as one of its objectives, “ordering and controlling land use in order to avoid [...] pollution and environmental degradation”. For this to happen, article 4 of the law regulates which instruments will be used to implement urban policy and among them, there is the Neighborhood Impact Study (EIV). The EIV will verify the compatibility of the project with the zoning of the surrounding areas and the level of discomfort generated by the neighboring population, considering the noise zoning plan of Ordinance nº. 256 GM5 (ANAC, 2011).

In this Chapter, the Transfer of the Right to Build instrument is analyzed, as an alternative to the limitation suffered by the owners of the land neighboring the enterprise, with regard to constructive capacity.

Chapter 5 analyzes the licensing of helipads in the municipality of Rio de Janeiro. Due to the increase in the number of licensing requests for the implementation of helipads, there was a lack of legislative definition and the integration of all bodies that guarantee the integrity of buildings and the safety of users. In 2012, Complementary Law Project nº 79 (2012), establishes the guidelines and rules for land use and occupation related to the construction, installation, renovation, expansion, operation and use of aerodromes, heliports and heliports in the Municipality of Rio de Janeiro. The PL links the installation and operation of these facilities to land use. The licensing process for this bill must include the Environmental Impact Study and the respective report (EIA/RIMA), Neighborhood Impact Study and a favorable opinion from the Civil Aviation Department (DAC). The PLC only distinguishes between, Heliport and Heliport regarding the restriction

of opening hours, leaving a gap regarding the requirements of the environmental impact study, which could be dispensed with in the case of heliports. However, despite not having been promulgated, we can consider that it was a great advance in terms of the study of urban planning, and environmental licensing of these activities, in front of the Municipality. In 2015, SMAC Resolution nº. 588 was published, which obliged the applicant to submit ANAC authorization and the Local Feasibility Study (EVAL).

As a case study, we selected two helipads in the city of Rio de Janeiro, one on the ground, in Morro da Urca and the other on top of the “Fundação Getúlio Vargas” building, analyzing the EIV presented, the PBZR. Through environmental, social and economic analyzes, considering the maximum tolerated sound pressure level, a profile of urban and environmental licensing was drawn.

Finally, the Final Considerations set out in Chapter 6 discusses the urban space, its buildings for various uses, means of transport and human activities, whether resulting from work or leisure, which generate noise and the problem of making noise pollution compatible with the permanence of noise people. Several professionals from the most different areas, such as: architecture, engineering, law, biology and environmental management. The implementation of a helipad in consolidated urban areas constitutes a challenge that mobilizes entrepreneurs, municipal agents responsible for licensing and inspection and professionals who research and develop new environmental technologies that work to reduce aircraft noise.

There is a tendency in urban planning to mix uses, determining mixed areas, which is in line with the provisions contained in ANAC Ordinance 256, which assesses the sound impact on existing buildings, without determining restrictions on zoning, as provided in the former Ordinance 1171 (ANAC, 1987).

For future studies, it is recommended to encourage an increase in research that deals with noise at the source, concomitantly with the use of equipment for professionals working with helicopters and environmental legislation focusing on the specificity of noise pollution, which does not leave residues, but it causes damage to the exposed population, fauna and flora, encouraging research mainly on human health;

New technologies that increase aircraft performance and reduce noise, work with new perspectives for future licensing. Studies show a reduction of up to 5 dB in aircraft noise levels. Many expectations are being evaluated around studies of electric motors and other innovations. The urban network, even the most consolidated, is transformed and adapted to the new demands arising from the economic and technological world. Other means of transport, such as automobiles, which used to emit very disturbing noises levels, are now very quiet, a consequence of changes in the type of engines, design and fuel. Finally, the implementation of helipads in urban areas depends on a case-by-case analysis, as the rapid evolution of technologies that reduce noise at the source and the mitigating and compensatory measures, allow the licensing of these enterprises accompanied by management and monitoring by public agencies.

Keywords: Helipads; noise; urban planning; environmental technologies urban; environmental legislation.

Sumário

1. Introdução	20
1.1 Motivação	22
1.2 Objetivo Geral	22
1.2.1 Objetivo Específico	22
1.3 Metodologia	23
	26
2. Poluição Sonora	
2.1. Som e Ruído	31
2.1.1 Volume do som e Decibel	33
2.1.2 Nível de Pressão Sonora	34
2.1.3 Nível de Potência Sonora	34
2.1.4 Métricas do ruído	35
2.2 Ruído Aeronáutico	36
2.2.1 Modelagem computacional	37
2.3 Efeitos do ruído na saúde humana	39
	40
3. Impactos na implantação de Helipontos	
3.1 Plano Básico de Zona de Proteção de Helipontos	40
3.2 Plano de Zoneamento de Ruído	44
3.3 Helicópteros – Fonte de ruído	48
3.3.1 História dos helicópteros	49
3.3.2 Ruído dos helicópteros	50
3.3.3 Tecnologias para diminuição do ruído das aeronaves	55
3.3.4 Certificação	56
3.3.5 Gestão e monitoramento	59
	60
4. Planejamento Urbano – instrumentos	
4.1 Estudo de Impacto de Vizinhança	61
4.2 Transferência do Direito de Construir	64
5. Licenciamento de Helipontos no Município do Rio de Janeiro	71
5.1 Heliponto do Morro da Urca	79
5.2 Heliponto da Fundação Getúlio Vargas	84
6. Considerações Finais e	91
6.1 Recomendações Futuras	94
Referências bibliográficas	96
Sites consultados	102

Lista de Tabelas

Tabela 01 - Evolução da Frota	19
Tabela 02 - Nível de critério de avaliação NCA para ambientes externos, em dB(A)	27
Tabela 03 - Níveis de Ruído para a obtenção de conforto acústico	29
Tabela 04 - Unidades de grandeza acústica	30
Tabela 05 - Limites de tolerância para ruído contínuo ou intermitente	36
Tabela 06 - Exemplo de informações dos valores NDP para helicóptero S76	38
Tabela 07 - Usos compatíveis e incompatíveis para áreas abrangidas por PBZR	47
Tabela 08 - Usos compatíveis e incompatíveis para áreas abrangidas por PEZR	48
Tabela 09 - Ruído de rotor	56
Tabela 10 - Limites de emissão sonora de certificação de aeronaves	60
Tabela 11 - Helipontos no Rio de Janeiro com PBZR aprovado	75
Tabela 12 - Resolução INEA nº 52 PPIM/CE - Portos, aeroportos, rodoviárias e terminais (exceto de petróleo, derivados e gás)	78
Tabela 13 - Usos permitidos	80
Tabela 14 - Horário e número de voos do heliponto	83
Tabela 15 - Características do helicóptero utilizado no heliponto X helicóptero utilizado no modelo computacional	85
Tabela 16 - Medição de pontos sensíveis no PZR	89

Lista de Figuras

Figura 01 - Curva de tendência da frota de helicópteros	20
Figura 02 - Relação entre variáveis da pesquisa	23
Figura 03 - Mecanismo de propagação sonora	32
Figura 04 - O aparelho auditivo humano	40
Figura 05 - Pista e rota de taxi terrestre (1º caso)	42
Figura 06 - Pista e rota de taxi terrestre (2º caso)	42
Figura 07 - Rampa Lateral Protegida além da área de segurança	43
Figura 08 - Plano Básico de Zona de Proteção de Heliponto	44
Figura 09 - Configuração das curvas de ruído 75 e 65	50
Figura 10 - Relação de pessoas altamente incomodadas e o DNL	51
Figura 11 - Helicóptero de Leonardo da Vinci. Fonte: domínio público	52
Figura 12 - A máquina aérea de George Carley	52
Figura 13 - O Autogiro de Juan de La Cierva	53
Figura 14 - O VS-300 de Igor Sikorsky	53
Figura 15 - O Helicóptero Bell 47	54
Figura 16 - Rotor Principal e suas partes	55
Figura 17 - Exemplo de rotores	57
Figura 18 - Exemplo de movimentação de um helicóptero	58
Figura 19 - Partes componentes e sistemas de um helicóptero	59
Figura 20 - Ponto de medição de ruído	62
Figura 21 - Cálculo de ruído máximo em operação	70
Figura 22 - Transferência do Direito de Construir	71
Figura 23 - Área do entorno do Heliponto do Morro da Urca	80
Figura 24 - PZR do Heliponto do Morro da Urca	82
Figura 25 - Bell 206 JET RANGERS 3 e AS350 Esquilo	82
Figura 26 - Entorno do heliponto da FGV	84
Figura 27 - Airbus H155	85
Figura 28 - Plano de Zoneamento de ruído do Heliponto da FGV	86
Figura 29 - Esquema da localização do edifício mais exposto ao ruído	88
Figura 30 - Mapa de zoneamento de ruído	89

Lista de Siglas

ABNT	Associação Brasileira de Normas Técnicas
ANAC	Agência Nacional de Aviação Civil
BRP	By-Pass Ratio
CBA	Código Brasileiro de Aeronáutica
CH	Corredores Aéreos de Circulação de Helicópteros
CONAMA	Conselho Nacional do Meio Ambiente
DECEA	Departamento de Controle do Espaço Aéreo
EIV	Estudo de Impacto de Vizinhança
EVAL	Estudo de Viabilidade Ambiental Local
FAA	Federal Aviation Administration
HAI	Associação Internacional de Helicópteros
ICAO	International Civil Aviation Organization
INEA	Instituto Estadual de Ambiente
INFRAERO	Empresa Brasileira de Infraestrutura Aeroportuária
LMI	Licença Municipal de Instalação
LMO	Licença Municipal de Operação
LMP	Licença Municipal Prévia
LUOS	Lei de Uso e Ocupação do Solo
NCA	Nível de Critério de Avaliação
OMS	Organização Mundial de Saúde
ONU	Organização das Nações Unidas
PBZR	Plano Básico de Zoneamento de Ruído
PDIR	Plano Diretor Aeroportuário
PEZR	Plano Específico de Zoneamento de Ruído
PZR	Plano de Zoneamento de Ruído
RASO	Relatório Anual de Segurança Operacional
RBC	Regulamento Brasileiro de Aviação Civil
SMAC	Secretaria Municipal de Meio Ambiente
SMU	Secretaria Municipal de Urbanismo

“Uma vez que você tenha experimentado voar, você andará pela terra com seus olhos voltados para céu, pois lá você esteve e para lá você desejará voltar.”

Leonardo Da Vinci

1 Introdução

A utilização de aeronaves do tipo helicóptero tem aumentado muito nas últimas décadas. Seguindo países como o Japão, Austrália, Reino Unido, França, Canadá e Estados Unidos, o Brasil possui a sétima frota mundial de helicópteros. A cidade de São Paulo em 2005 foi considerada no “ranking” internacional, como a segunda cidade em número de helicópteros em operação (Alves, 2018). O levantamento do número de helicópteros em 2013 apontava 2076 helicópteros registrados, estando 70% da frota concentrada nos estados de São Paulo (723), Rio de Janeiro (467) e Minas Gerais (246), conforme indicado na tabela 1.

Tabela 1: Evolução da Frota

Evolução da Frota	
ANO	Número de helicópteros
1990	277
1995	472
2000	843
2005	991
2010	1.361
2011	2076
2015	1.605
2016	1.722
2017	1.398
2018	1.353

Fonte: ANAC (2018).

A frota brasileira de helicópteros conta com 1398 aeronaves o com registro ativo em maio de 2018 (ano de referência: 2017), o que corresponde a 14,79% do total deste tipo de aeronaves a qual perfaz a soma de 9.452 helicópteros. Do total da frota de aeronaves registradas, o estado de São Paulo possui 33% da frota, seguido pelo Rio de Janeiro com 20% e Minas Gerais com 11% (ANAC, 2017).

Apesar da leve queda do número de aeronaves registradas desde 2016 a linha de tendência continua crescente como observado na Fig. 1.

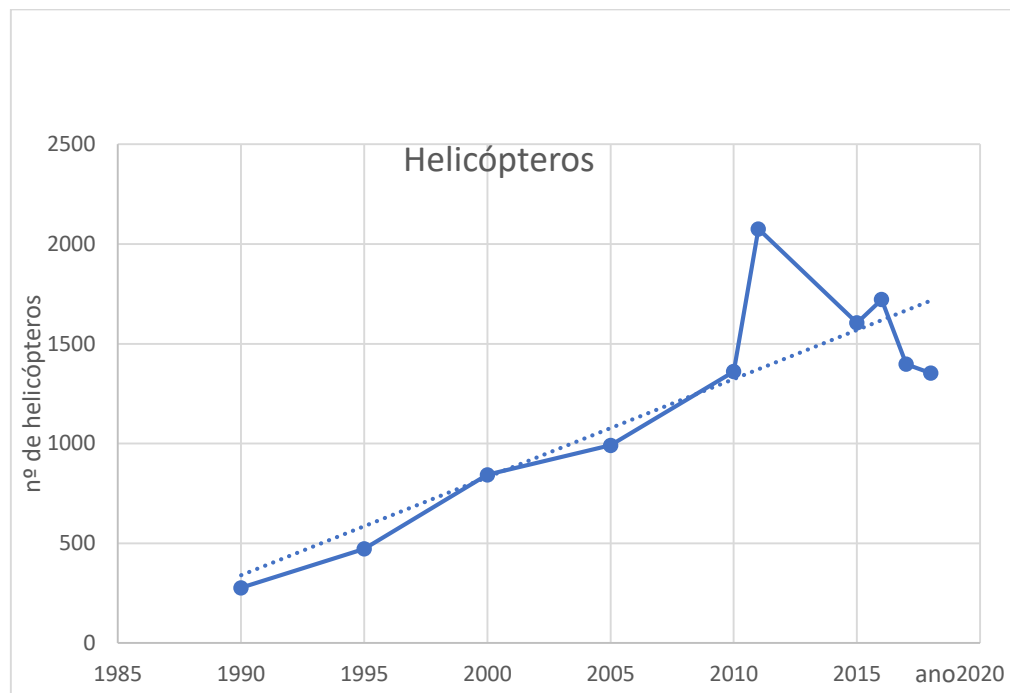


Figura 1: Curva de tendência da frota brasileira de helicópteros x ano
Fonte: Autoria própria.

Favorecido pela grande extensão de área territorial, o Brasil possui o quinto mais extensa, desde 1927, ano que correspondeu a implantação de empresas de transporte aéreo e da indústria deste segmento, o setor de transporte aéreo vem evoluindo com a economia. O plano de estabilização econômica de 1994, alavancou o setor com significativo crescimento no turismo brasileiro, gerando aumento de emprego e renda, principalmente após ser escolhido para sediar importantes eventos esportivos em escala global, como por exemplo, a Copa do Mundo em 2014 e os Jogos Olímpicos de 2016, o que impulsionou significativamente o setor de transporte aéreo brasileiro (Santos, 2015).

Todo este incremento no setor aeronáutico trouxe impactos positivos para a economia, principalmente na área de turismo, porém, impactou negativamente no que se refere à poluição sonora nas comunidades no entorno de áreas urbanizadas.

De forma análoga, a implantação de helipontos tem causado muitos transtornos à vizinhança de tais empreendimentos. A poluição sonora advinda dos sobrevoos, pousos e decolagens, somada ao risco de acidentes, trouxeram à pauta a questão do licenciamento urbano e ambiental dos helipontos.

A poluição sonora é o resultado de ações antrópicas e tem relação direta com os processos de urbanização, os quais foram exacerbados com a industrialização.

Além disso, ela possui uma especificidade, o ruído não deixa resíduo, o dano ambiental diz respeito ao malefício que causa a saúde.

Nota-se que a preocupação com o ruído urbano vem aumentando na mesma proporção que o desenvolvimento industrial e a concentração populacional. Áreas urbanas consolidadas encontram dificuldade em compatibilizar atividades e empreendimentos que possuem níveis de pressão sonora, os quais podem ser nocivos à saúde da população no entorno dessas áreas.

O surgimento de novas tecnologias ambientais para redução do ruído, em especial no setor aeroportuário e, mais especificamente, para os helipontos inseridos em áreas urbanas, como acontece na cidade do Rio de Janeiro, tem mitigado o incômodo nas comunidades vizinhas a implantação desses empreendimentos, o que incentivou pesquisas neste setor.

1.1 Motivação

As cidades brasileiras têm enfrentado problemas na elaboração de legislações que abrangem tanto o licenciamento ambiental, quanto o edificação de helipontos. São Paulo, líder no número de helicópteros no país, elaborou estudos e projetos que culminaram em leis e decretos. Porto Alegre elaborou estudos e projeto de lei para lidar com esta questão. No Rio de Janeiro, foram criados grupos de trabalho para definição de projetos de lei com vistas na regulamentação edilícia e ambiental do setor. Esse contexto, motiva a elaboração de uma dissertação a qual demonstre soluções que fomentam o controle da poluição sonora através da adoção de medidas preventivas e compensatórias na implantação de helipontos em áreas urbanas consolidadas, compatibilizando-os com estas áreas. O estudo da poluição sonora e regulamentos é fundamental para que ocorra no licenciamento dessa atividade, a preocupação com a proteção da saúde humana, através de tecnologias ambientais e restrições do uso do solo.

1.2 Objetivo Geral

Discutir como compatibilizar os ruídos gerados com a implantação de helipontos em áreas urbanas já consolidadas por meio de regulamentos baseados em marcos legislativos teóricos e contemporâneo.

1.2.1 Objetivos Específicos

- Revisar a literatura sobre a poluição sonora, em especial a aeroportuária;
- Avaliar a compatibilidade da implantação de helipontos, a partir de estudo de caso em área urbana da cidade do Rio de Janeiro, com avaliação do comportamento humano da população afetada;
- Analisar a legislação urbana e ambiental brasileira sobre o licenciamento da atividade em questão;
- Identificar medidas de compensação para o controle do impacto sonoro nas comunidades vizinhas;

1.3 Metodologia

Foi realizada uma pesquisa exploratória e bibliográfica, contemplando os seguintes itens:

- Ruído;
- Planejamento Urbano Sustentável;
- Planejamento ambiental;
- Resiliência;
- Estudo de Impacto de vizinhança;
- Tecnologias Ambientais para controle, compensação e mitigação da poluição sonora.

A pesquisa foi efetuada através da seleção de três variáveis, o desenvolvimento econômico, cujo objetivo é o lucro e a expansão do mercado, o desenvolvimento ecológico, o qual visa a proteção do meio ambiente e o

desenvolvimento social, alinhado com a participação da comunidade nas decisões sobre a cidade. A Fig. 2 mostra o diagrama de Scalotini, cuja interseção dessas três variáveis é o desenvolvimento sustentável, foco desta pesquisa. Previsto na Agenda 21 (Brasil, 2002), que é um instrumento de planejamento participativo para o desenvolvimento sustentável, este tripé visa compatibilizar a conservação ambiental, a justiça social e o crescimento econômico.

Para o estudo de caso, foi realizada uma pesquisa na Secretaria Municipal de Meio Ambiente, além de levantados dados para o desenvolvimento de análise das áreas de estudo. Dentre os dados obtidos, destacam-se:

- Definição da área de estudo;
- Levantamento de dados físicos, altimétricos e ambientais da área;
- Uso e Ocupação Urbana do solo;
- Estudo da legislação ambiental;
- Pesquisa na área de tecnologias ambientais para mitigação do ruído;
- Dentre as limitações para a elaboração do estudo de caso estão as análises de impacto ambiental no que se refere à fauna local.

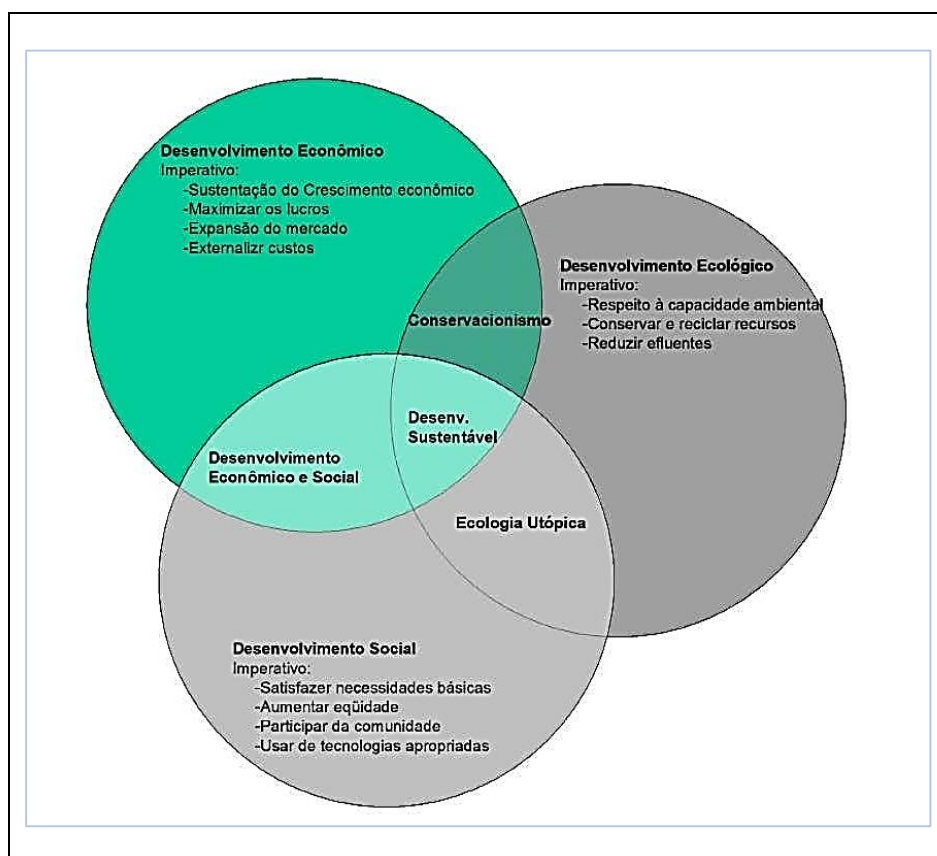


Figura 2: Relação entre as variáveis de pesquisa
Fonte: Scalotini, (2013).

Após a obtenção dos dados necessários ao estudo, foram verificadas quais são as melhores tecnologias ambientais e instrumentos do planejamento urbano para solucionar os problemas do incômodo sonoro gerado pela implantação de um heliponto em áreas urbanas, compatibilizando os aspectos econômicos, sociais e ecológicos, visando um desenvolvimento sustentável urbano, uma das prerrogativas do Plano Diretor Municipal.

Para que seja compreendida a relação destas três variáveis, faz-se necessário retornar ao marco inicial, no que se refere a preocupação com as questões legais de proteção ambiental, em especial a poluição sonora, e como elas vêm se desenvolvendo ao longo do tempo.

A pesquisa está estruturada em seis Capítulos. A Introdução discorre sobre o cenário atual da poluição sonora, em função da implantação de helipontos em áreas urbanas, relacionando as três variáveis, o desenvolvimento econômico, o ecológico e o social. Em seguida, no Capítulo 2, foi realizada uma revisão da literatura sobre poluição sonora e seus marcos legislativos. Um panorama internacional e nacional estabelece uma relação para o intercâmbio de informações e tecnologias sobre o assunto. Leis importantes foram promulgadas no Brasil, como a Política Nacional do Meio Ambiente. Neste Capítulo também foram abordados a conceituação de som e ruído e as formas de propagação do som, com a finalidade de permitir a quantificação do incômodo gerado e os efeitos adversos dos elevados níveis de pressão sonora para a saúde humana. As diretrizes, regulamentos e tecnologias relacionadas a implantação de um heliponto são exploradas no Capítulo 3. O planejamento urbano e seus instrumentos foram abordados no Capítulo 4, para determinar o impacto gerado nas comunidades vizinhas, a relação da atividade com o uso de solo e soluções do planejamento para compensar as restrições de uso. No Capítulo 5 foi realizada uma revisão do licenciamento ambiental de helipontos do município do Rio de Janeiro seguidos por dois estudos de caso. Finalmente, no Capítulo 6, as considerações finais dispõem sobre a análise da temática e sugere, nas recomendações futuras, a continuidade de pesquisas acerca as novas tecnologias, relacionando-as a legislação urbana e ambiental.

2 Poluição Sonora – Revisão da literatura

A preocupação com o Meio Ambiente começou a ganhar força com a Conferência das Nações Unidas sobre o Meio Ambiente, realizada em Estocolmo, em 1972, onde surgiram marcos legislativos importantes para preservação do planeta. O direito ao meio ambiente passou a ser um direito fundamental.

A Organização Mundial da Saúde (OMS) desde 1980 alerta sobre os efeitos nocivos da poluição sonora no meio urbano. Ela relata que o início do estresse auditivo se dá sob exposição de 55 dB (Zajarkiewicz, 2010). A partir desse valor as alterações mentais e emocionais, relacionadas com a saúde física do indivíduo exposto ao ruído, começam a ser percebidas. O relatório da OMS, publicado em 2007, afirma que os efeitos adversos que a poluição sonora causa nos indivíduos é uma das principais causas de morte no mundo, alcançando o número de duzentas e dez mil mortes por ano (Perez, 2019).

No Congresso Mundial de Acústica na Austrália em 1981, as cidades do Rio de Janeiro e São Paulo foram elencadas entre as maiores em nível de ruído do mundo. Em seguida, no Congresso Mundial sobre poluição sonora na Suécia em 1989, a poluição sonora passou a ser considerada caso de saúde pública (Fernandes, 2002). No mesmo ano, no Brasil, foi promulgada a Lei 6.938 (Brasil, 1981), que dispõe sobre a Política Nacional do Meio Ambiente, a qual estabelece no inciso VI, do artigo 8º, a competência ao Conselho Nacional do Meio Ambiente (CONAMA, 1986) de sancionar “privativamente, normas e padrões nacionais de controle da poluição por veículos automotores, aeronaves e embarcações, mediante audiência dos Ministérios competentes”. No que diz respeito aos serviços enumerados e disponibilizados pelo IBAMA para o licenciamento ambiental, encontra-se a licença do selo de ruído e a declaração de atendimento aos limites de ruído, o que demonstra a preocupação legislativa com a poluição sonora no país.

A Constituição Federativa da República do Brasil (Brasil, 1988), em seu artigo 225, que trata da proteção ao meio ambiente, reforça a preocupação ambiental e estabelece o direito a um meio ambiente equilibrado. Neste ponto pode-se incluir

a poluição sonora como fonte de desequilíbrio do meio ambiente causando impacto na saúde da população.

Art. 225. Todos têm direito ao meio ambiente ecologicamente equilibrado, bem de uso comum do povo e essencial à sadia qualidade de vida, impondo-se ao poder público e à coletividade o dever de defendê-lo e preservá-lo para as presentes e futuras gerações. (Brasil, 1988)

Assim, a poluição sonora vem ganhando destaque nas discussões legislativas sobre o meio ambiente.

A Agenda 21 (Brasil, 2002) foi um dos principais resultados da Conferência das Nações Unidas, a Eco-92 ou Rio-92, que aconteceu no Rio de Janeiro, em 1992. A Agenda 21 pode ser definida como um instrumento de planejamento para a construção de sociedades sustentáveis, em diferentes bases geográficas, que concilia métodos de proteção ambiental, justiça social e eficiência econômica. Em seu Capítulo 6, item 6.4.1, que trata da proteção e promoção das condições da saúde humana, é explicitada a preocupação com a saúde humana em decorrência do ruído, e recomenda que devem ser realizados esforços no sentido de facilitar o acesso e transferência de novas tecnologias.

6.4.1 Os programas de ação definidos nacionalmente, com auxílio, apoio e coordenação internacionais, quando necessário, devem incluir nesta área: [...] (g) ruído – Desenvolver critérios para determinar níveis máximos permitidos de exposição a ruído e incluir medidas de verificação e controle de ruído (Brasil, 2002).

A Lei Brasileira de Crimes Ambientais n.º 9.605 (Brasil, 1998), em seu artigo 54, pontua a poluição sonora como crime ambiental, quando constatado que os níveis de ruído estão acima dos valores recomendados.

Art. 54. Causar poluição de qualquer natureza em níveis tais que resultem ou possam resultar em danos à saúde humana, ou que provoquem a mortandade de animais ou a destruição significativa da flora: Pena – reclusão, de um a quatro anos, e multa (Brasil, 1998).

A expressão “poluição de qualquer natureza” inclui a poluição sonora e quando menciona “danos à saúde”, envolve, no caso da poluição sonora, todos aqueles decorrentes da exposição a este tipo de poluição.

Para a determinação do que é considerado poluição sonora, no que diz respeito aos níveis de tolerabilidade, a Resolução nº 001 (Brasil, 1990) do Conselho Nacional do Meio Ambiente (CONAMA), a qual regula os critérios para a emissão de ruídos em atividades comerciais, industriais, sociais ou recreativas, incluindo as de propaganda política, define os limites sonoros destas atividades. Percebe-se que as atividades listadas na resolução têm característica exemplificativa e não exaustiva (Zajarkiewicz, 2010), de modo que, o ruído decorrente de veículos de transporte urbanos, como os rodoviários, ferroviários, hidroviários e aéreos, contribuem com esta lista, até mesmo porque os meios de transporte são explorados comercialmente, tratando-se de uma atividade comercial, a qual é mencionada na referida resolução. Para verificação dos limites de ruído de acordo com o zoneamento, o CONAMA adota os níveis de avaliação constantes na NBR 10151 (ABNT, 2019), mostrada na Tab. 2, que dispõe sobre a avaliação de ruído em áreas habitadas, visando o conforto da comunidade. Esta norma fixa os níveis de aceitabilidade de ruído em comunidades e determina o procedimento de medição do ruído. O inciso II da Resolução nº 001 (Brasil, 1990) do CONAMA determina:

II – São prejudiciais à saúde e ao sossego público, para os fins do item anterior, os ruídos com níveis superiores aos considerados aceitáveis pela Norma NBR 10.151 (ABNT, 2019) – Avaliação do Ruído em Áreas Habitadas visando o conforto da comunidade, da Associação Brasileira de Normas Técnicas (ABNT, 1990).

Tabela 2: Nível de critério de avaliação NCA para ambientes externos, em dB(A)

Tipos de área	Diurno	Noturno
Áreas de sítios e fazendas	40	35
Área estritamente residencial urbana ou de hospitais ou de escolas	50	45
Área mista, predominantemente residencial	55	50
Área mista com vocação comercial e administrativa	65	60
Área predominantemente industrial	70	60

Fonte: ABNT (2019).

A ABNT NBR 10.151 (ABNT, 2019) – Acústica – Medição e avaliação de níveis de pressão sonora em áreas habitadas – Aplicação de uso geral, atualizada e publicada no dia 31 de maio de 2019 pela Associação Brasileira de Normas técnicas (ABNT) atribui ao poder público a responsabilidade de fiscalização da poluição sonora, recomendando a adoção dos limites de níveis de pressão sonora para a regulamentação do parcelamento e uso do solo, de modo a caracterizar os ambientes

sonoros em áreas habitadas, compatíveis com as diferentes atividades e a sadia qualidade de vida da população. É bom ressaltar que a norma não é uma lei, mas quando inserida na norma geral, ganha força de lei. Esta Norma estabelece os seguintes procedimentos:

- Medição e avaliação de níveis de pressão sonora em ambientes externos às edificações, em áreas destinadas à ocupação humana em função do uso e ocupação do solo;
- Medição e avaliação de níveis de pressão sonora em ambientes internos às edificações, provenientes de transmissão sonora aérea e/ou de vibração da edificação;
- Avaliação do som total, específico e residual;
- Avaliação de som tonal, impulsivo, intermitente e contínuo;
- Limites de níveis de pressão sonora para ambientes externos às edificações, em áreas destinadas à ocupação humana em função do uso e ocupação do solo e requisitos para avaliação em ambientes internos.

Para medição dos níveis de ruído é utilizado o medidor integrador de nível sonoro, o sonômetro tipo 1, calibrado de acordo com a norma *International Electrotechnical Commission* (IEC- Comissão Internacional Eletrotécnica) 61.672 e com selo da Rede Brasileira de Calibração - RBC / INMETRO.

A mensuração dos níveis de ruído para a obtenção do conforto acústico nos ambientes residenciais, comerciais, hospitalares, auditórios e aeroportos, está informada na NBR 10.152 (ABNT, 2017), disposta na Tab. 3, e, de posse desta informação, pode-se avaliar o uso de tecnologias ambientais para controle e mitigação da poluição sonora. Nesta tabela, a finalidade de uso de cada ambiente é relacionada com os valores de referência dos níveis sonoros, expressos em decibéis, sendo:

- RL_{Aeq} o nível sonoro equivalente ponderado em A;
- RL_{AS} o nível máximo de pressão sonora ponderada em A e ponderada em S;
- RC_N o nível de pressão sonora em C.

Tabela 3: Níveis de Ruído para a obtenção de conforto acústico

Finalidade de uso	Valores de referência		
	RLAeq (dB)	RLAS (dB)	RLNC
Residências			
Dormitórios	35	40	30
Sala de estar	40	45	35
Sala de cinema em casa (<i>home theater</i>)	40	45	35
Outros			
Auditório grande > 600 m ³	30	35	25
Auditório pequeno < 600 m ³	35	40	30
Cozinhas e lavanderias	50	55	45
Tribunais	40	45	35
Aeroportos, estações rodoviárias e ferroviárias			
Áreas de <i>check in</i> , bilheteria	45	50	40
Salas de embarque e circulações	50	55	45
Centros comerciais (<i>shopping centers</i>)			
Circulações	50	55	40
Lojas	45	50	40
Praça de alimentação	50	55	45
Garagem	55	60	50
Clínicas e hospitais			
Berçários	35	40	30
Centros cirúrgicos	35	40	30
Consultórios	35	40	30
Enfermarias	40	45	35
Laboratórios	45	50	40
Quartos coletivos	40	45	35
Quartos individuais	35	40	30
Sala de espera	45	50	40
NOTA: O valor de RLAeq para dormitório é compatível a faixa estabelecida na NBR 10.152: 1987 e também para a condição de Laeq de até 65 dB em áreas externas urbanas para o período diurno e 55 para o período noturno, estabelecido na NBR 10.151:2000 considerado o desempenho mínimo previsto pela ABNT NBR 15.575-4:2013 de 25 dB para isolamento de fachadas em regiões classe II.			

Fonte: (ABNT, 2017).

A área de pesquisa sobre o ruído urbano é bastante ampla e abrange desde o estudo das fontes sonoras urbanas, a elaboração de normas, até o planejamento de estratégias para gestão e controle de ruído urbano, com a medição da propagação sonora em diferentes escalas. Para estes estudos torna-se cada vez mais importante

o acesso as novas tecnologias, como o uso de *softwares* de simulação, mapas de ruído e modelos físicos reduzidos. Parâmetros como a reverberação do som e a interferência das condições climáticas na propagação sonora acústica no meio ambiente, também são levados em consideração nos estudos pela acústica urbana. A metodologia utilizada para avaliar o ambiente, no que diz respeito a poluição sonora é realizada de forma objetiva, através de levantamentos e medições *in situ*; e de forma subjetiva, através da realização de questionários e entrevistas (FAU/USP, 2018).

O mapeamento de ruído e o estudo de previsão de níveis sonoros (EPNS) é uma ferramenta que permite avaliar o nível de ruído emitido de uma determinada fonte, a qual permite entender o comportamento do ruído em ambientes externos, internos e sua interação com os receptores críticos (RPC's). Esta ferramenta permite quantificar com precisão, o comportamento do ruído em todas as direções, simulando no mapa acústico, através da modelagem matemática, a situação atual ou futura e estabelecer, a partir desses dados, mecanismos de controle e de tomada de decisões, acerca do controle da poluição sonora.

Para a avaliação da quantificação do ruído, dar-se-á início a conceituação de som e ruído, determinando o nível de pressão sonora que dará origem as métricas utilizadas nos cálculos realizados nos estudos de impacto de vizinhança.

2.1 Som e Ruído

“O Som é uma forma de energia que é transmitida pela colisão das moléculas do meio, umas com as outras, sucessivamente” e se caracteriza por flutuações de pressão em um meio compressível” (Gerges, 2000) A razão de ocorrência da flutuação de pressão é conhecida como frequência. As frequências audíveis são as que se encontram na faixa de 20 a 20.000 Hertz (HZ). A onda menor que 20 Hz é denominada de infrassom e a maior que 20.000 Hz, ultrassom, entretanto, essas ondas, apesar de chegarem aos nossos ouvidos, não são capazes de estimular o nosso sentido da audição humana.

Para conseguir medir os níveis de ruído, são utilizadas unidades de grandezas acústicas listadas na Tab. 4.

Tabela 4: Unidades das Grandezas Acústicas

Grandezas Acústicas	Unidade
Pressão Sonora	P (Pascal)
Potência Sonora	W (watts)
Intensidade Sonora	I (Watts/m ²)
Velocidade de som	c= 331 +0,6t (m/s) t=temperatura
Velocidade da partícula "U"	(m/s)
Frequência	f (Hz)
Comprimento da onda "L"	L= c/f (m)

Fonte: Gerges (2000).

Quando o som se torna desagradável ou indesejado, ele é classificado como ruído. Para avaliar os níveis sonoros desejáveis e indesejáveis, se faz necessário efetuar medições e realizar cálculos, para posterior mensuração dos dados obtidos. Seria possível também avaliar o ruído de forma perceptiva, ou seja, quando se percebe que as pessoas estão gritando para poderem ser ouvidas, ou quando se aproximam mais do ouvinte, ou, se depois de uma permanência prolongada, tem a sensibilidade auditiva diminuída.

Para efetuar a medição da intensidade das ondas acústicas em campo livre (I), ou seja, em ambiente aberto é utilizada a equação (1):

$$I = P^2 / 2 \cdot c \cdot \rho \quad (1)$$

Onde: P= potência sonora;

ρ = densidade do ar = 1,21 kg/m³ e

c= velocidade do som) =331+0,6t (m/s), onde t = temperatura.

As fontes sonoras, em regra, não irradiam uniformemente em todas as direções e são comumente limitadas pelo solo e outros obstáculos, sendo necessário avaliar o índice de diretividade. Em ambiente fechado, o som se propaga como ondas esféricas a partir de uma fonte pontual, porém, em ambiente aberto, outros fatores influenciam a propagação do som, tais como os obstáculos e a não uniformidade do meio (ventos, temperatura). conforme mostrado na Fig. 3.

A propagação de uma onda sonora em um determinado fluido, ao incidir em meio sólido, perde parte de sua energia, fazendo com que existam parcelas refletidas, atenuadas, difratadas e refratadas.

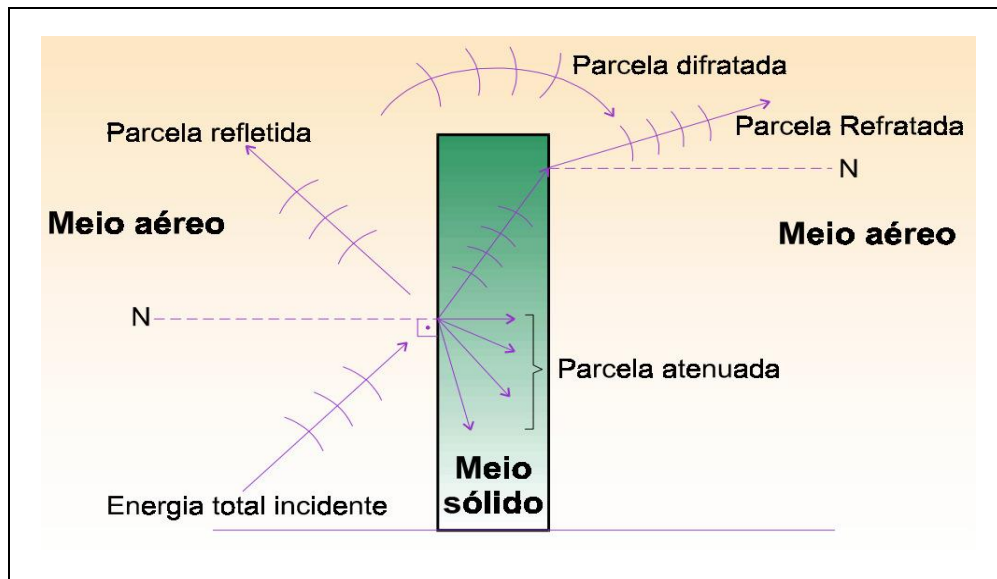


Figura 3: Mecanismos de Propagação do Som
 Fonte: OACI/TRAINAIR [2019?].

A onda acústica ao encontrar o meio sólido sofre atenuação, e, em seguida, parte dela é refratada, ou seja, passa pelo meio, assumindo outra direção, e a parte não refratada se transforma em onda sonora refletida. A onda sonora também pode contornar o meio sólido, fenômeno conhecido como difração (Bentes, 2013).

O ruído não faz uma curva disposta em circunferência perfeita, da mesma maneira que está exposto no Plano Básico de Zoneamento de Ruído (PBZR) estabelecido pelo RBAC 161 (ANAC, 2011), ele contorna os obstáculos, sejam as edificações, obstáculos naturais ou construídos, e vai perdendo sua intensidade na medida que se afasta da fonte que o produziu.

As ondas sonoras são ondas de pressão, que se propagam a partir de variações de pressão do meio, ocasionadas pela presença de obstáculos e a temperatura ambiente. Ondas sonoras se propagam a 340 m/s no ar, ao nível do mar, em condições normais de pressão e em temperatura ambiente a 20° Celsius.

2.1.1 Volume do Som e Decibel (dB)

O som possui grande intensidade quando existe uma grande quantidade de energia por unidade de tempo e a onda sonora tem grande amplitude. Deste modo, a intensidade está relacionada ao volume do som. Essa intensidade é medida em dB (decibéis), onde se estabeleceu que ao som de menor intensidade percebido pelo

ouvido humano, seria atribuído o valor de 0 dB e o de maior intensidade, de 120 dB. Os decibéis não podem sofrer adição simples, pois, estão em escala logarítmica.

A faixa de intensidade acústica alcançada pelo ouvido humano vai desde o limite da audição até o limiar da dor. O nível de intensidade acústica NI é dado pela equação (2):

$$NI = 10 \cdot \log(I/I_0) \quad (2)$$

Onde I é a intensidade acústica em watt/m², I₀ é a intensidade de referência (I₀=10⁻¹² W/m²).

2.1.2 Nível de pressão sonora

O nível de Pressão Sonora (NPS) é uma relação logarítmica entre a pressão sonora no ambiente e uma pressão sonora de referência, conforme mostrado na equação (3).

$$NPS = 10 \cdot \log(P^2/P_0^2) \quad (3)$$

Onde: P₀ = 0,00002 [Pa] é o valor de referência e corresponde ao limiar da audição em 1000 Hz. Já o limiar da dor equivale a 2 x 10 Pa ou 120 dB.

A pressão sonora é aquela que pode ser ouvida e medida. Ela depende do ambiente acústico ao redor da fonte sonora. A medida do nível de pressão sonora é feita através da escala decibel, o qual corresponde a uma escala logarítmica, que se aproxima da percepção do ouvido às flutuações da pressão sonora (USP, 2018).

2.1.3 Nível de Potência sonora

A potência sonora é uma propriedade da fonte sonora, ou seja, não depende do ambiente sonoro. O nível de potência sonora é uma medida da carga de energia de uma fonte sonora, expresso em dB, como a seguir:

$$(NWS) = 10 \cdot \log(W/W_0) \quad (4)$$

Onde a potência sonora de referência é W₀ = 10⁻¹² watts

2.1.4 Métricas do ruído

O parâmetro mais utilizado para avaliar a poluição ambiental sonora é o nível de pressão sonora (NPS), expresso em dB. As medições são feitas através de um medidor de pressão sonora, o qual usa escalas de ponderação, que são filtros em frequências que simulam a resposta do ouvido humano, a forma como percebe o som, baseadas nas curvas de sonoridade

As métricas mais utilizadas para avaliação do ruído aeronáutico são:

- 1- Nível sonoro dia – noite – DNS - (*Day – Nighth Level*);
- 2- Nível sonoro dia-entardecer-noite – LDEN – (*Day-Evening-Nighth*);
- 3- Nível sonoro Equivalente – L(A)eq
- 4- Nível de exposição sonora - SEL – (*Sound Exposure Level*)

O nível sonoro equivalente é o nível constante em dB(A), que corresponde a mesma exposição sonora, para o mesmo período de tempo. O SEL é o nível associado à energia sonora ponderada em A e recebida por um receptor e é utilizado em ruído aeronáutico, para mensurar o ruído de uma aeronave em movimento e estimar o incômodo gerado a um número máximo de pessoas durante o sobrevoo de uma aeronave (Slama, 2017).

O ruído possui características não estacionárias, ou seja, variam dentro de um período. Ao utilizar a métrica LAeq para regulamentação urbana, baseada na NBR 10.151/19, para as áreas vizinhas ao heliponto, os períodos de avaliação devem considerar todo o período diurno, de 7 h às 22 h e o período noturno de 22 h às 7 h.

Deste modo, de acordo com Slama (2017) pode-se definir os níveis sonoros equivalentes, calculados em um receptor próximo de um heliponto para os períodos diurno (LAeqD) e noturno (LAeqN), conforme exemplificado nas equações (5) e (6);

$$LAeqD = 10\log_{10}\left\{\frac{1}{15 \cdot 3600} \left[\int_{7 \cdot 3600}^{22 \cdot 3600} 10^{LA(t)/10} \right] \right\} \quad (5)$$

$$LAeqN = 10\log_{10}\left\{\frac{1}{9 \cdot 3600} \left[\int_{22 \cdot 3600}^{7 \cdot 3600} 10^{LA(t)/10} \right] \right\} \quad (6)$$

Existe uma relação entre as métricas DNL, LAeqA e LAeqN no entorno dos helipontos dada pela equação (7):

$$DNL = 10\log_{10}\left\{\frac{1}{24}[15 * 10^{LA(t)/10} + 90 * 10^{LA(t)/10}]\right\} \quad (7)$$

Deste modo, pode-se determinar o nível DNL para cada área. O DNL (*Day Night Sound Level*) é utilizado para definir o zoneamento aeroportuário e está relacionado com a média de energia sonora produzida por todos os eventos aeronáuticos, ocorridos durante um período de 24 horas.

Dentre os instrumentos utilizados para o controle do ruído aeroportuário no Brasil, o software INM (*Integrated Noise Model*) disponibilizado pela FAA (*Federal Aviation Administration* – EUA) para auxiliar na avaliação do impacto ambiental sonoro causado por operações aeronáuticas sobre as comunidades vizinhas. Este software permite a geração de várias curvas isofônicas, unindo pontos com valores iguais de níveis de ruídos. O INM é detentor de um banco de dados obtido de testes de homologação e certificação de aeronaves.

O INM pode ser utilizado:

- 1- Para geração de curvas de ruído em diferentes métricas;
- 2- Para calcular níveis sonoros em receptores críticos para diversas métricas;

A quantificação do impacto sonoro pode ser obtida utilizando o SIG (Sistema de Informação Geográfica). O sistema permite a entrada, armazenamento, manipulação e visualização dos dados georreferenciados. Os dados são visualizados em mapas e associados a um banco de dados quantitativos e qualitativos. As camadas (*layers*) utilizadas na análise quantitativa do impacto possuem as curvas de ruído geradas pelo INM, imagem de satélite e uma malha digital de valores do censo demográfico, como por exemplo do IBGE.

2.2

Ruído Aeronáutico

Nos anos 60 surgiram nos Estados Unidos e na Europa, as preocupações com os impactos ambientais dos Aeroportos, em função do rápido crescimento das atividades da Aviação Civil (Ferreira, 2019).

Pode-se definir o ruído aeronáutico como aquele que se origina das operações realizadas pelas aeronaves, tais como circulação, aproximação, pouso, decolagem, taxiamento e os decorrentes dos testes de motores. Segundo George Ferreira, o ruído aeronáutico é considerado o principal problema ambiental na aviação civil, pois afeta diretamente a população das comunidades vizinhas, as quais geralmente não são beneficiadas pelas atividades aeroportuárias.

Classifica-se o ruído aeronáutico como um ruído intermitente ou contínuo, ou seja, para os fins de aplicação de limites de tolerância, o ruído que não seja ruído de impacto, com elevados níveis sonoros em sua fonte e que devem ser medidos em decibéis (dB) com instrumento de nível de pressão sonora operando no circuito de compensação "A" e circuito de resposta lenta. A Norma Regulamentadora - NR 15(Brasil, 2019), disposta na Tab. 5, que trata de atividades e operações insalubres, determina os limites de tolerância para ruído contínuo ou intermitente, por exemplo, não é permitido a exposição a níveis de ruído acima de 115 dB(A) para indivíduos que não estejam adequadamente protegidos.

Tabela 5: Limites de tolerância para ruído contínuo ou intermitente

Nível De Ruído - dB (A)	Máxima Exposição Diária Permissível
85	8 horas
86	7 horas
87	6 horas
88	5 horas
89	4 horas e 30 minutos
90	4 horas
91	3 horas e 30 minutos
92	3 horas
93	2 horas e 40 minutos
94	2 horas e 15 minutos
95	2 horas
96	1 hora e 45 minutos
98	1 hora e 15 minutos
100	1 hora
102	45 minutos
104	35 minutos
105	30 minutos
106	25 minutos
108	20 minutos
110	15 minutos
112	10 minutos
114	8 minutos
115	7 minutos

Fonte: NR 15 (2019).

O nível de exposição excessivo ao ruído intermitente pode causar efeitos adversos à população exposta nas áreas no entorno de helipontos.

Segundo a ANAC, a gestão dos problemas decorrentes do ruído aeronáutico envolve diversos entes públicos e privados, dentre os quais, a própria Agência Nacional de Aviação, o Departamento de Controle e Espaço Aéreo (DECEA), operadores dos helipontos abrangidos, operadores aéreos, municipalidades, órgãos ambientais, entre outros. No presente momento, a ANAC, por meio do Regulamento Brasileiro de Aviação Civil nº 161 -RBAC (ANAC, 2011) - determina que, para o licenciamento de um aeródromo, deverá ser apresentado um Plano de Zoneamento de Ruído (PZN), além das exigências dos órgãos municipais acerca da compatibilidade da atividade com o zoneamento do município.

2.2.1 Modelagem computacional

O Modelo Integrado de Ruído (INM (*Integrated Noise Model*) é um programa computacional desenvolvido pela agência americana FAA – *Federal Aviation Administration* - e tem por objetivo calcular o nível de ruído produzido por operações aeronáuticas na área do entorno de aeródromos. O programa tem sido utilizado por mais de 1000 organizações em 65 países incluindo a ANAC e a INFRAERO (Empresa Brasileira de Infraestrutura Aeroportuária) desde a sua criação em 1978.

A norma SAE-AIR- 1845 (SAE, 1986) intitulada, “Procedimento para o cálculo do ruído do avião nas proximidades dos aeroportos”, define a metodologia do cálculo do IMN. Esta norma está em conformidade com as diretrizes fornecidas pela Conferência Europeia da Aviação Civil (ECAD, 2005) e pela Organização Internacional da Aviação Civil (ICAO) na publicação circular 205 (ICAO, 1988).

O Programa utiliza um banco de dados estruturado na forma de tabela denominada NPD (Ruído, Potência e Distância) e tabelas com dados de espectro sonoro. As tabelas NPD são compostas por um conjunto de dados que relaciona nível sonoro, potência do motor (empuxo) e a distância entre a aeronave e um ponto de cálculo (ponto receptor). Para as aeronaves de asa rotativas são utilizados dois perfis operacionais: modo de voo em movimento e modo de voo parado. As tabelas

NPD são padronizadas em distâncias nos valores 200, 400, 630, 1000, 2000, 4000, 6300, 10000, 16000 e 25000 pés. como podemos observar na Tab. 6 (Gama, 2012).

Tabela 6: Exemplo as informações dos valores NPD para o helicóptero S76

Métrica	Modo operacional	Posição	Níveis de ruído dB(A) x Distância (pés)				
			L_200	L_400	L_630	L_1000	L_2000
SEL	Pouso	esquerda	92,0	88,6	86,2	83,7	79,4
SEL	Pouso	centro	95,6	92,4	90,2	87,9	84,1
SEL	Pouso	direita	96,3	93,0	90,7	88,3	84,3
SEL	Decolagem	esquerda	94,0	90,6	88,1	85,4	80,8
SEL	Decolagem	centro	90,0	86,3	83,6	80,5	75,2
SEL	Decolagem	direita	92,6	89,3	86,9	84,4	80,1
Lamax	Ground (voo parado)	centro	57,7	50,3	45,9	41,4	34,2
Lamax	hover (voo parado)	centro	82,3	75,9	71,5	67,0	59,8
SEL	Sobrevoos	esquerda	94,1	90,6	88,1	85,4	80,6
SEL	Sobrevoos	centro	91,3	87,6	84,8	81,8	76,4
SEL	Sobrevoos	direita	92,9	89,4	86,9	84,2	79,5
Métrica	Modo operacional	Posição	Níveis de ruído em dB(A) x Distância (pés)				
			L4000	L6300	L10000	L16000	L25000
SEL	pouso	esquerda	74,4	70,6	66,2	62,2	57,9
SEL	pouso	centro	79,8	76,4	72,4	68,8	64,9
SEL	pouso	direita	79,6	75,9	71,3	67,3	62,9
SEL	decolagem	esquerda	75,1	70,6	65,1	60,2	55,0
SEL	decolagem	centro	68,8	63,5	57,6	52,2	46,5
SEL	decolagem	direita	74,7	70,4	65,1	60,4	55,4
Lamax	Ground (voo parado)	centro	26,5	21,3	15,8	10,5	5,1
Lamax	hover (voo parado)	centro	52,3	47,1	41,6	36,3	30,9
SEL	sobrevoos	esquerda	74,7	70,1	64,8	60,0	54,8
SEL	sobrevoos	centro	69,8	64,7	58,9	53,6	47,9
SEL	sobrevoos	direita	73,8	69,3	64,2	59,5	54,5

Fonte: Gama (2012).

O cálculo dos níveis sonoros em receptores localizados em distâncias intermediárias é realizado através de um processo de interpolação ou extrapolação, recomendado pela norma SAE-AIR-1845 (SAE, 1986). Para aeronaves de asa fixa

os níveis sonoros são fornecidos em 4 métricas. SEL(A) - nível de exposição sonora, Lam_{ax} – nível sonoro máximo ponderado, EPNL - nível efetivo de ruído percebido e PNTLM - nível de ruído percebido com correção de tom. Para aeronaves de asas rotativas, os níveis sonoros são fornecidos em duas métricas: SEL(A) para o modo operacionais de voo em movimento (pouso, decolagem e sobrevo) e para Lam_{ax} para dois modos operacionais de voo estático (*Hover and ground*).

Os dados de entrada, tais como topografia, clima, velocidade do vento, entre outros, são inseridos pelo usuário, e a partir desses dados, os valores da tabela NPD são reajustados. Para os helicópteros, os ajustes específicos, geralmente, incluem correções de direcionalidade do ruído. O efeito direcional do ruído é ajustado nas tabelas NPD para os modos operacionais em movimento (pouso, decolagem e sobrevo), relacionadas com a posição esquerda, centro e direita.

2.3 **Efeitos do Ruído na Saúde Humana**

A poluição sonora é a terceira fonte de poluição mundial e isso é resultado de se negligenciar a influência do som no bem-estar do ser humano (Raibault *et al.*, 2003). A exposição constante ao ruído excessivo compromete a qualidade de vida do indivíduo exposto, podendo ser prejudicial ao bem-estar físico, emocional, mental e social, fazendo com que o organismo fique predisposto a ter alterações na pressão sanguínea, na frequência cardíaca, tensão muscular, liberação de hormônios, falta de atenção, distúrbios do sono, falta de concentração, e irritabilidade, entre outros. A audição pode ser afetada pelos ruídos através da fadiga auditiva, ou seja, pela mudança temporária no limiar, através de trauma acústico, que se apresenta pela súbita perda auditiva ou pela perda auditiva induzida por ruído (Ribas *et al.*, 2010).

Desde o fenômeno da industrialização e das aglomerações urbanas o problema da poluição sonora aumentou de maneira significativa e em consequência, ganhando atenção dos órgãos responsáveis pela proteção do meio ambiente.

Segundo Gerges (2000) “som é definido como variação da pressão atmosférica dentro dos limites de amplitude e banda de frequência aos quais o

ouvido humano responde.” Na banda de frequência auditiva – de 20Hz a 20.000 Hz – o ouvido possui variação quanto a sensibilidade acústica. Quando o som começa a tornar-se desagradável, ele se denomina ruído.

A trajetória do processo auditivo tem início com a propagação das ondas sonoras, as quais percorrem um caminho pelo ouvido externo até alcançar o tímpano, onde causam vibrações. Essas vibrações passam pelos três ossos do ouvido médio, o martelo, a bigorna e o estribo, que funcionam como um amplificador. Assim, através do aparelho auditivo humano, exemplificado na Fig. 4, o som e o ruído são percebidos.

A exposição a níveis altos de ruído por um tempo prolongado, pode causar, inicialmente, perda de audição na banda de frequências entre 4 a 6 Hz. Existe também a perda de audição temporária, esta ocorre após exposição a ruídos intensos de forma aleatória, ou seja, não repetidos, onde o efeito é temporário.

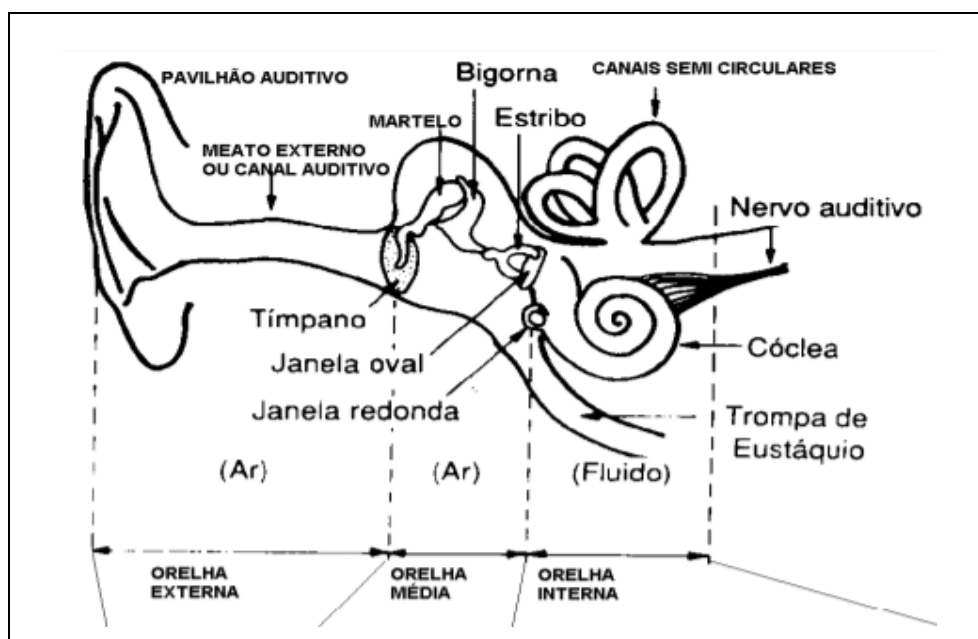


Figura 4: O aparelho auditivo humano
Fonte: Domínio Público [2019?].

Os efeitos do ruído podem também ocorrer nos sistemas extra auditivos. São eles: aceleração da pulsação, aumento da pressão sanguínea e estreitamento dos vasos sanguíneos. Esses efeitos fisiológicos podem causar vários problemas de saúde causando uma sobrecarga no coração, secreções hormonais anormais e tensões musculares. Além desses efeitos, há também os transtornos mentais, como a irritabilidade e a fadiga.

Dentre os que trabalham expostos ao ruído, há aqueles que estão também expostos à vibração. Os efeitos desta exposição vão desde a visão turva, perda de equilíbrio e falta de concentração, até prejuízo permanente de determinados órgãos do corpo. É o caso dos pilotos e profissionais civis e militares que permanecem no helicóptero durante as suas atividades profissionais.

Alguns problemas de saúde adquiridos pela exposição a altos níveis de ruído, podem retroagir com o tempo, em função da descontinuidade da exposição ao ruído, outros, serão permanentes, devido a danos ao aparelho auditivo. Este é o caso das populações expostas ao ruído proveniente dos helipontos em áreas urbanas o qual será demonstrado no próximo capítulo.

3 Helipontos – Impactos

Heliponto é uma área destinada exclusivamente a pouso e decolagens de helicópteros. Sua instalação observa as normas de segurança, tanto na cobertura de um edifício ou no solo. O heliponto difere do heliporto na estrutura ao redor, pois, o heliporto possui outras estruturas que abrigam atividades diversas d'aquelas relacionadas ao pouso e decolagem, onde permite que se façam carregamentos e descarregamentos, abastecimentos, estacionamento e manutenção de helicópteros. Quando localizado sobre estrutura flutuante ou fixa *offshore*, pode ser chamado de Helideck.

A complexidade dessas estruturas exige um rigoroso atendimento as normas técnicas, mais especificamente, quando se trata de aspectos como a resistência do piso ao impacto, otimização do uso de materiais técnicos em sua construção e na captação de combustível em chamas. Todas estas especificações estão referenciadas no Regulamento Brasileiro de Aviação Civil – RBAC nº 155 (ANAC, 2018) e são importantes para a definição dos tipos de aeronaves permitidas para cada heliponto.

3.1 Plano Básico de Zona de Proteção de Helipontos

As diretrizes das características físicas dos Helipontos se encontram no Regulamento Brasileiro de Aviação Civil nº 155 (ANAC, 2018), o qual define também as áreas para o taxiamento dos helicópteros e as áreas de proteção. As áreas de proteção são definidas pela envergadura das pás, que tem seu início, ao final destas.

A largura de uma pista de táxi aéreo para helicóptero, deve ser duas vezes maior que a distância entre as faces externas do trem de pouso principal (*UCW-Width of the undercarriage*) do maior helicóptero previsto para utilizar a pista de táxi aéreo (Fig. 5).

A área de segurança que envolve a FATO é de 0,25 D, como demonstrado na Fig. 7. Nos helipontos elevados a área de segurança não precisa, necessariamente, ser uma superfície física.

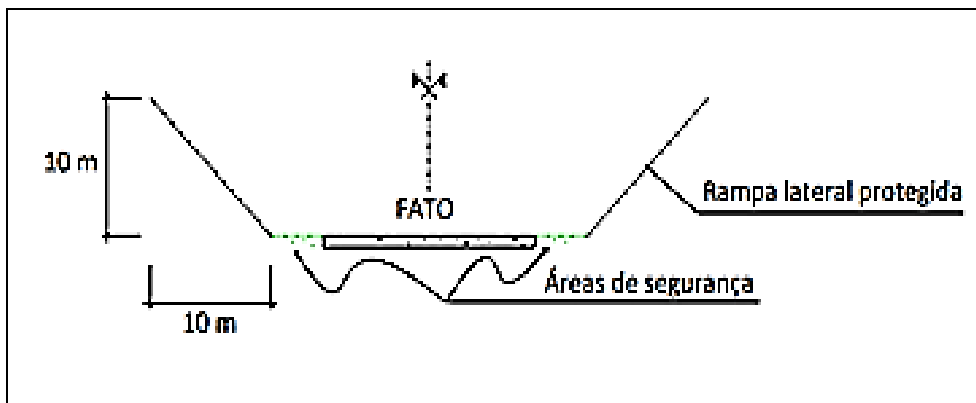


Figura 7: Rampa Lateral Protegida além da área de segurança
Fonte: ANAC (2018).

A configuração física do heliponto se constitui de uma FATO que contenha uma área de toque e elevação (TLOF), livre de obstáculos, não sendo permitida a utilização simultânea de dois ou mais helicópteros na mesma FATO.

No Capítulo V da Portaria nº 256 GM5(ANAC, 2011), o qual dispõe especificamente sobre o Plano Básico de Zona de Proteção de Heliponto, informa no seu artigo 24, que “O Plano Básico de Zona de Proteção de Heliponto é definido em função das superfícies limitadoras de obstáculos” as quais são utilizadas para disciplinar a ocupação do uso do solo.

O Plano Básico de Zona de Proteção de Heliponto e suas partes integrantes, representadas em vista (planta baixa) e cortes longitudinal e transversal, está representado na Fig. 8.

1- Superfície de aproximação - plano inclinado ou combinação de planos ascendentes, desde as extremidades da Área de Segurança, e centralizados na linha que corta o centro da Área de Aproximação Final e Decolagem – FATO;

2- Superfície de decolagem -plano inclinado, uma combinação de planos ou, quando a trajetória incluir uma curva, uma superfície complexa em rampa ascendente a partir da borda da Área de Segurança, e centrada na linha que passa pelo eixo da FATO;

3- Superfície de transição - superfície complexa ao longo das laterais da Área de Segurança e ao longo de parte das laterais da Superfície de Aproximação,

inclinando-se para cima e para fora em direção à Superfície Horizontal Interna ou até uma altura predeterminada;

4- Superfície horizontal interna - superfície circular localizada em um plano horizontal acima da FATO e seu entorno;

5- Superfície cônica - superfície que se estende em rampa ascendente para fora dos limites externos da Superfície Horizontal Interna, ou dos limites externos da Superfície de Transição, caso não exista Superfície Horizontal Interna.

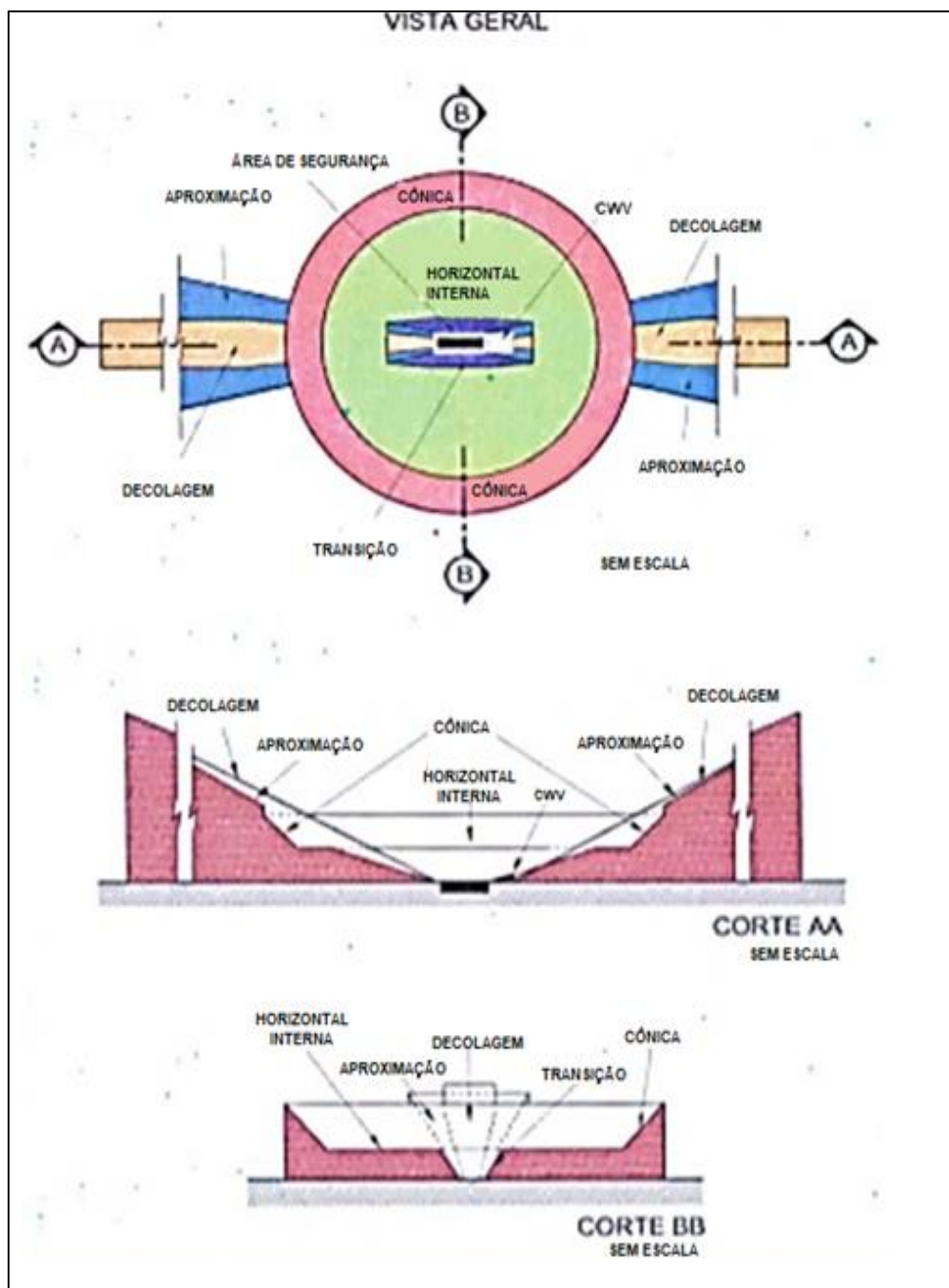


Figura 8: Plano Básico de Zona de Proteção de Heliponto
Fonte: ANAC (2011).

Os helipontos com áreas de pouso circulares, não possuirão a Superfície de Transição, e, as superfícies de Aproximação e Decolagem serão utilizadas em todas as direções.

Os helipontos públicos e privados, localizados sobre o solo, a água ou elevado devem ter, no mínimo, duas superfícies de aproximação e decolagem, separadas por, no mínimo, 150°. Porém, os helipontos privados, operados, exclusivamente, pelos seus respectivos proprietários ou por pessoas autorizadas, onde não seja viável a implantação de duas superfícies de aproximação e decolagem, poderão, excepcionalmente, operar com apenas uma.

Entretanto, o maior impacto ambiental ocasionado pela implantação de helipontos é o nível de ruído nas comunidades vizinhas. A ANAC estabelece no Regulamento Brasileiro de Aviação Civil- RBAC nº 161 (Brasil,2013), o Plano Básico de Zoneamento de Ruído dos Aeródromos.

Segundo a ANAC, a gestão dos problemas decorrentes do ruído aeronáutico envolve diversos entes públicos e privados, dentre os quais a própria Agência Nacional de Aviação, o Departamento de Controle e Espaço Aéreo (DECEA), operadores dos helipontos abrangidos, operadores aéreos, municipalidades, órgãos ambientais, entre outros. Existem vários aspectos a serem observados quando se trata da medição do ruído na implantação de helipontos. O primeiro se refere ao ruído emitido pelas aeronaves durante o pouso e a decolagem, considerando a aeronave de maior porte e o número de voos, e o segundo se refere ao ruído de fundo, medido em dia útil, durante o funcionamento do heliponto. O Regulamento Brasileiro de Aviação Civil nº 161(Brasil, 2013) regula o posicionamento das curvas de ruído as quais estão representadas a seguir.

3.2 Plano de Zoneamento de Ruído

O plano de zoneamento de ruído é um documento normativo do Ministério da Aeronáutica que estabelece as restrições ao uso do solo, definidas pelas curvas de ruído e só poderá ser revogado ou alterado mediante ato do Ministro da Aeronáutica.

A Portaria nº 1141/GM5 (ANAC, 1987) foi revogada pela Portaria nº 256/GM5 (ANAC, 2011), ficando a cargo do Regulamento Brasileiro da Aviação Civil RBAC nº 161 EMENDA nº 01 (ANAC, 2013), determinar os usos compatíveis e incompatíveis para as áreas abrangidas pelo Plano Básico de Zoneamento de Ruído. Esse regulamento estabelece a obrigação da apresentação de um Plano de Zoneamento de Ruído (PZR) pelos operadores dos aeródromos e “tem por objetivo representar geograficamente a área de impacto do ruído aeronáutico decorrente das operações nos aeródromos” compatibilizando o funcionamento dos aeródromos e mais especificamente os helipontos com as comunidades localizadas no seu entorno. Para aeródromos que apresentaram média anual de movimento de aeronaves dos últimos três anos superior a 7.000 movimentos, ficam obrigadas a apresentar o Plano Específico de Zoneamento de Ruído (PEZR).

Os níveis de ruído permitidos nas áreas delimitadas pelas curvas de ruídos, estão identificados nas Tabs. 7 e 8. Por exemplo, os níveis de ruído que se posicionam acima dos valores constantes na NBR 10.151 (ABNT, 2019) mesmo com a conversão das métricas, como acontece com as edificações residenciais unifamiliares e multifamiliares, permitidas abaixo da curva 65, quando na realidade, só deveriam ser permitidas nas áreas delimitadas pelas curvas 45 – 50, devem se adaptar. Nas áreas abaixo da curva 65, a tabela indica que todos os usos do solo são compatíveis, entre as curvas 65 e 75, o uso residencial é inadequado. Assim como os locais de permanência prolongado e de usos públicos. Outros, devem se adequar através da implantação de medidas mitigadoras para redução do ruído e por último os usos recreativos em áreas abertas, atividades agrícolas e criação estariam permitidas.

Tabela 7: - Usos compatíveis e incompatíveis para áreas abrangidas por PBZR (1).

Uso do Solo	Abaixo de 65	65–75	Acima de 75
Residencial			
Residências uni e multifamiliares	S	N(1)	N
Alojamentos temporários (exemplos: hotéis, motéis e pousadas ou empreendimento equivalentes)	S	N(1)	N
Locais de permanência prolongada (exemplos: presídios, orfanatos, asilos, quartéis, mosteiros, conventos, apart hotéis, pensões ou empreendimentos equivalentes)	S	N(1)	N
Usos Públicos			
Educacional (exemplos: universidades, bibliotecas, faculdades, creches, escolas, colégios ou empreendimentos equivalentes)	S	N (1)	N

Saúde (exemplos: hospitais, sanatórios, clínicas, casas de saúde, centros de reabilitação ou empreendimentos equivalentes)	S	30	N
Igrejas, auditórios e salas de concerto (exemplos: igrejas, templos, associações religiosas, centros culturais, museus, galerias de arte, cinemas, teatros ou empreendimentos equivalentes)	S	30	N
Serviços governamentais (exemplos: postos de atendimento, correios, aduanas ou empreendimentos equivalentes)	S	25	N
Transportes (exemplos: terminais rodoviários, ferroviários, aeroportuários, marítimos, de carga e passageiros ou empreendimentos equivalentes)	S	25	N
Estacionamentos (exemplo: edifício garagem ou empreendimentos equivalentes)	S	25	N
Usos Comerciais e serviços			
Escritórios, negócios e profissional liberal (exemplos: escritórios, salas e salões comerciais, consultórios ou empreendimentos equivalentes)	S	25	N
Comércio atacadista - materiais de construção, equipamentos de grande porte	S	25	N
Comércio varejista	S	25	N
Serviços de utilidade pública (exemplos: cemitérios, crematórios, estações de tratamento de água e esgoto, reservatórios de água, geração e distribuição de energia elétrica, Corpo de Bombeiros ou empreendimentos equivalentes)	S	25	N
Serviços de comunicação (exemplos: estações de rádio e televisão ou empreendimentos equivalentes)	S	25	N
Usos Industriais e de Produção			
Indústrias em geral	S	25	N
Indústrias de precisão (Exemplo: fotografia, óptica)	S	25	N
Agricultura e floresta	S	S (3)	S (4)
Criação de animais, pecuária	S	S (3)	N
Mineração e pesca (exemplo: produção e extração de recursos naturais)	S	S	S
Usos Recreacionais			
Estádios de esportes ao ar livre, ginásios	S	S	N
Conchas acústicas ao ar livre e anfiteatros	S	N	N
Exposições agropecuárias e zoológicos	S	N	N
Parques, parques de diversões, acampamentos ou empreendimentos equivalentes	S	S	N
Campos de <i>golf</i> , hípcas e parques aquáticos	S	25	N

Tabela 8: - Usos compatíveis e incompatíveis para áreas abrangidas por PBZR.(2)

Uso do Solo	Nível de Ruído Médio dia-noite (dB)	Abaixo de 65	65/70	70/75	75/80	80/85	Acima de 85
Residencial							
Residências uni e multifamiliares		S	N (1)	N (1)	N	N	N

Alojamentos temporários (exemplos: hotéis, motéis e pousadas)	S	N (1)	N (1)	N (1)	N	N
Locais de permanência prolongada (exemplos: presídios, orfanatos, asilos, quartéis, mosteiros, conventos, apart-hotéis, pensões)	S	N (1)	N (1)	N	N	N
Usos Públicos				N	N	N
Educacional (exemplos: Universidades, bibliotecas, faculdades, creches, escolas, colégios)	S	N (1)	N (1)	N	N	N
Saúde (exemplos: hospitais, sanatórios, clínicas, casas de saúde, centros de reabilitação)	S	25	30	N	N	N
Igrejas, auditórios e salas de Concerto (exemplos: igrejas, templos, associações religiosas, centros culturais, museus, galerias de arte, cinemas, teatros)	S	25	30	N	N	N
Serviços governamentais (exemplos: postos de atendimento, correios, aduanas)	S	S	25	30	N	N
Transportes (exemplos: terminais rodoviários, ferroviários, aeroportuários, marítimos, de carga e passageiros)	S	S	25	30	35	35
Estacionamentos (exemplo: edifício garagem)	S	S	25	30	35	N
Usos Comerciais e serviços						
Escritórios, negócios e profissional liberal (exemplos: escritórios, salas e salões comerciais, consultórios)	S	S	25	30	N	N
Comércio atacadista - materiais de construção, equipamentos de grande porte	S	S	25	30	35	N
Comércio varejista	S	S	25	30	N	N
Serviços de utilidade pública (ex: cemitérios, crematórios, estações de tratamento de água e esgoto, reservatórios de água, geração e distribuição de energia elétrica, Corpo de Bombeiros)	S	S	25	30	35	N
Serviços de comunicação (ex: estações de rádio e TV)	S	S	25	30	N	N
Usos Industriais e de Produção						
Indústrias em geral	S	S	25	30	35	N
Indústrias de precisão (Exemplo: fotografia, óptica)	S	S	25	30	N	N
Agricultura e floresta	S	S	S (3)	S (4)	S (4)	S (4)
Criação de animais, pecuária	S	S (2)	S (3)	N	N	N
Mineração e pesca (Exemplo: produção e extração de recursos)	S	S (2)	S	S	S	S

Usos Recreacionais						
Estádios de esportes ao ar livre, ginásios	S	S	S	N	N	N
Conchas acústicas ao ar livre e anfiteatros	S	N	N	N	N	N
Exposições agropecuárias e zoológicos	S	S	N	N	N	N
Parques, parques de diversões, acampamentos ou	S	S	S	N	N	N
Campos de golfe, hípicas e parques aquáticos	S	S	25	30	N	N

Notas das Tabelas E-1 e E-2:
S (Sim) = usos do solo e edificações relacionadas compatíveis sem restrições
N (Não) = usos do solo e edificações relacionadas não compatíveis.
25, 30, 35 = usos do solo e edificações relacionadas geralmente compatíveis.
Medidas para atingir uma redução de nível de ruído – RR de 25, 30 ou 35 dB devem ser incorporadas no projeto/construção das edificações onde houver permanência prolongada de pessoas. (1) Sempre que os órgãos determinarem que os usos devam ser permitidos, devem ser adotadas medidas para atingir uma RR de pelo menos 25 dB. (2) Edificações residenciais requerem uma RR de 25 dB. (3) Edificações residenciais requerem uma RR de 30 dB. (4) Edificações residenciais não são compatíveis.

Fonte: ANAC (2011).

É necessário que sejam disciplinados os locais permitidos no zoneamento do município para a implantação de helipontos e no caso de helipontos no topo das edificações, quais tipologias edilícias poderiam abrigar o uso.

Para efeito de elaboração e aplicação do PBZR para helipontos, os raios das Curvas de Ruído de 75dB e 65dB são, respectivamente, 100 m e 300 m, traçados a partir do centro geométrico do heliponto, conforme apresentados na Fig. 9.

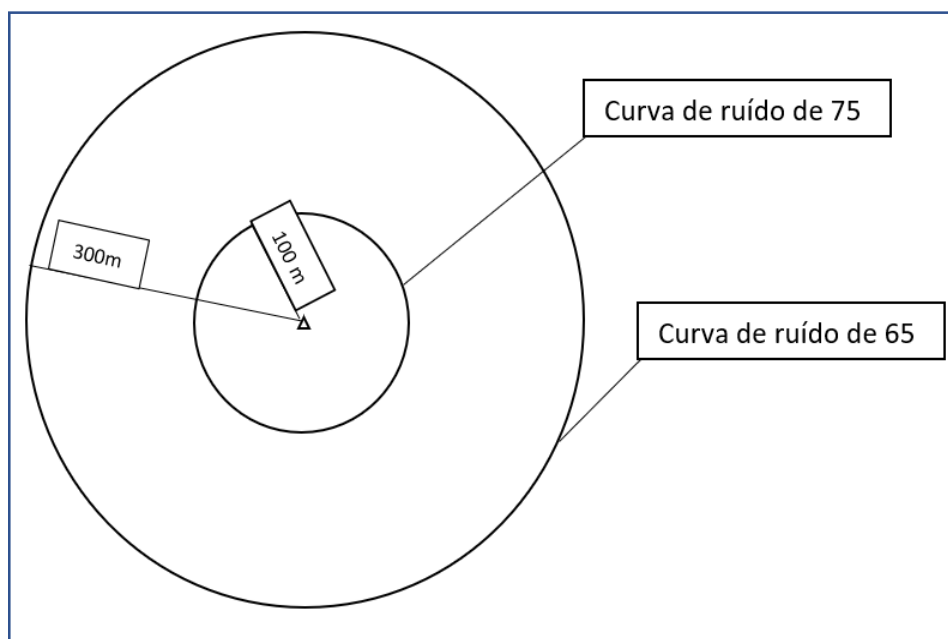


Figura 9: Configuração das curvas de ruído de 75dB e 65dB para helipontos.

Fonte: ANAC (2013).

No campo delimitado por essas curvas de ruído, é feito um mapeamento das edificações, suas tipologias e usos, e a medição da poluição sonora nesses pontos. Neste sentido, somente os usos compatíveis ou edificações adaptadas, através de medidas mitigadoras, compatibilizando-as com as curvas de ruído, poderiam estar na área delimitada.

Segundo Jules Slama (2017), na elaboração das curvas de ruído devem ser estimados o número de movimentos e tipos aeronaves, levando em conta também o Plano Diretor (PDIR). O autor esclarece que as curvas de ruído são linhas fechadas traçadas em um mapa, onde cada linha representa uma exposição a um mesmo nível de ruído. A métrica utilizada pelo RBAC 161 (2011) para definir o zoneamento aeroportuário é o DNL (*Day Night Sound Level*) e está relacionada com a média de energia sonora produzida por todos os eventos aeronáuticos ocorridos durante um período de 24 horas. O zoneamento aeroportuário está baseado nesta métrica, objetivando o controle do número de reclamações geradas pelas operações no entorno da vizinhança, representando a relação entre o ruído previsto e o incômodo sonoro sentido pela população afetada, como previu Schutz (1978) em seus estudos sobre o assunto (Fig. 10).

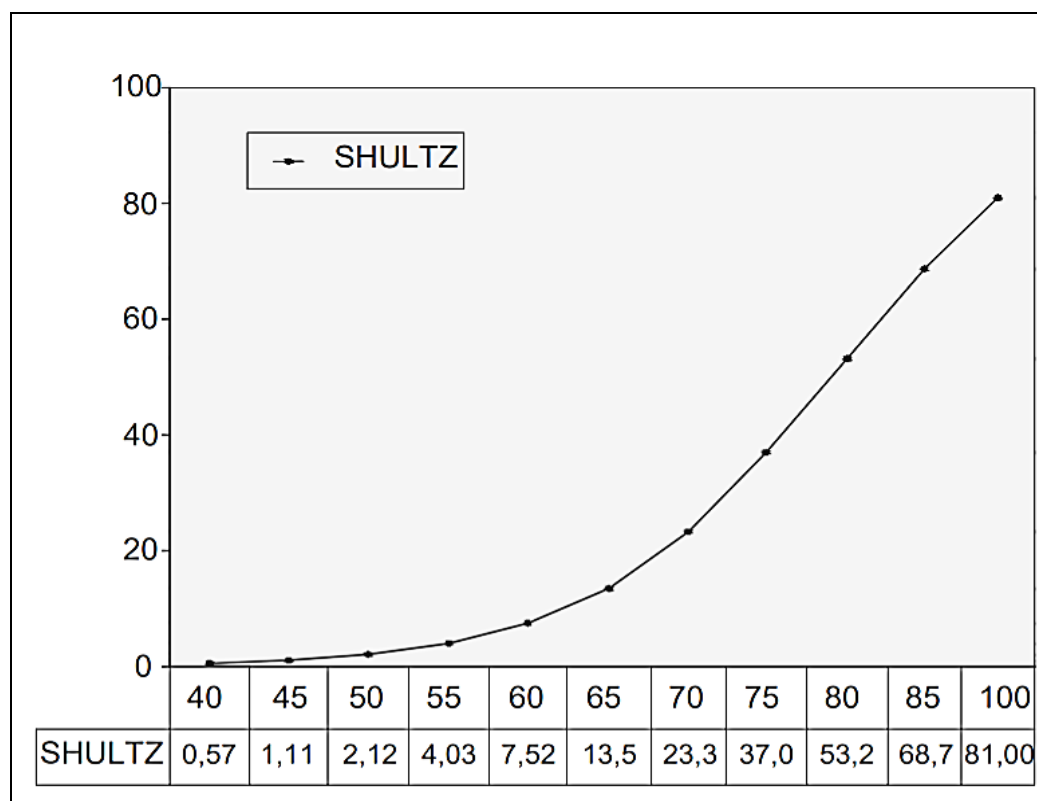


Figura 10: Relação de pessoas altamente incomodadas e o DNL

Fonte: Schultz, (1978)

O percentual de pessoas altamente incomodadas é utilizado para avaliar os efeitos do ruído na saúde. Esta relação também é recomendada pela OMS como um dos indicadores de saúde ambiental necessários para avaliação dos efeitos adversos do ruído ambiental sobre a saúde.

O controle do ruído aeroportuário é realizado observando as restrições contidas no PEZR, não havendo outras restrições por parte ANAC. Deste modo, na análise do licenciamento ambiental, ficam sobre a responsabilidade das autoridades municipais disciplinam suas legislações de modo a compatibilizar o zoneamento aeroportuário com o zoneamento urbano.

3.3 Helicóptero – Fonte do ruído

Os helicópteros já fazem parte do cotidiano das grandes cidades. Com a intensificação do trânsito, a mobilidade urbana ficou prejudicada e a necessidade de se locomover de maneira mais rápida, incentivou pesquisas no setor. Atualmente as principais aplicações comerciais para os helicópteros civis hoje em produção são: o transporte executivo, transporte “vip” ou de chefes de Estado, transporte de pessoas, equipamentos ou materiais entre pontos inacessíveis por outros meios de transporte ou que requeiram, pela natureza da demanda, o mais rápido atendimento possível, busca e resgate, serviços médicos de emergência, offshore, ou seja, transporte de trabalhadores da indústria de petróleo e gás entre bases, treinamento, instrução de pilotos e o voo turístico. Divididos entre públicos e privados, os helipontos são uma realidade nas áreas urbanas consolidadas.

A história dessas aeronaves está intimamente ligada aos processos de urbanização e de desenvolvimento tecnológico, os quais serão expostos a seguir.

3.3.1

História dos helicópteros

A história do helicóptero remonta ao ano de 1438 quando *Leonardo da Vinci*, projetou uma aeronave com os princípios básicos dos atuais helicópteros, porém nunca foi construído. Seu projeto chamado “*Helixpteron*”, ilustrado na Fig.

11, embora bastante rudimentar, serviu de base para o desenvolvimento do helicóptero assim como o conhecemos.

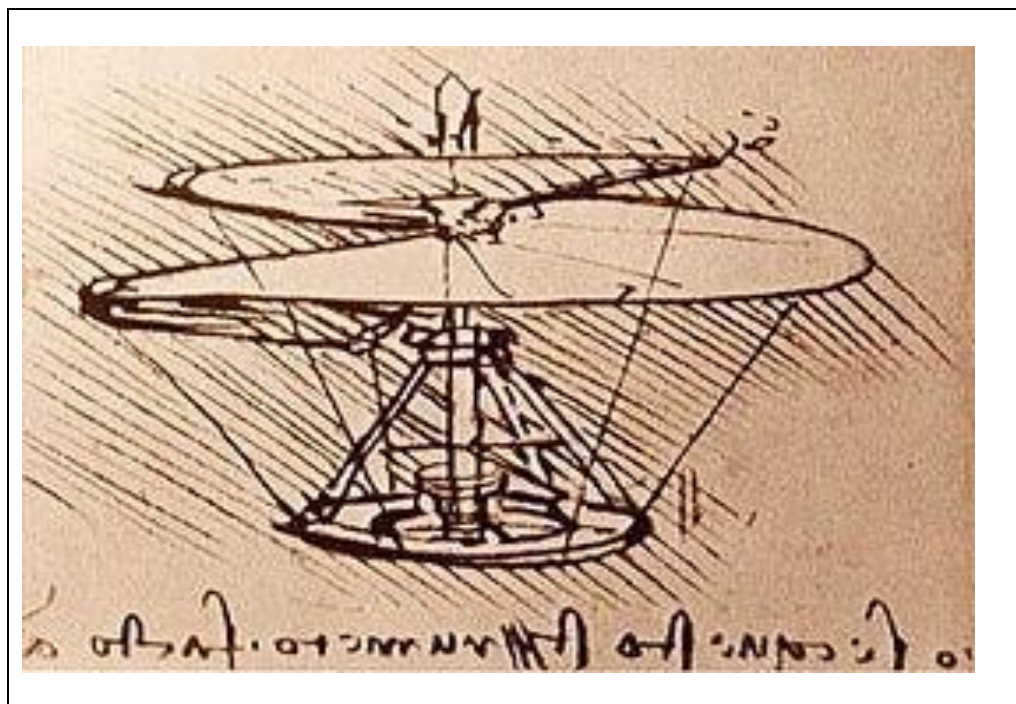


Figura 11: Helicóptero de Leonardo da Vinci
Fonte: Domínio Público [2019?].

Desde então, inventores como George Cayley (1843), a Juan de la Cierva y Codornú (1923), acrescentaram novos estudos, os quais contribuíram para o surgimento do helicóptero. As Figs. 12 e 13 ilustram os projetos dessas máquinas aéreas de George Cayley e Juan de La Cierva y Codornú respectivamente.

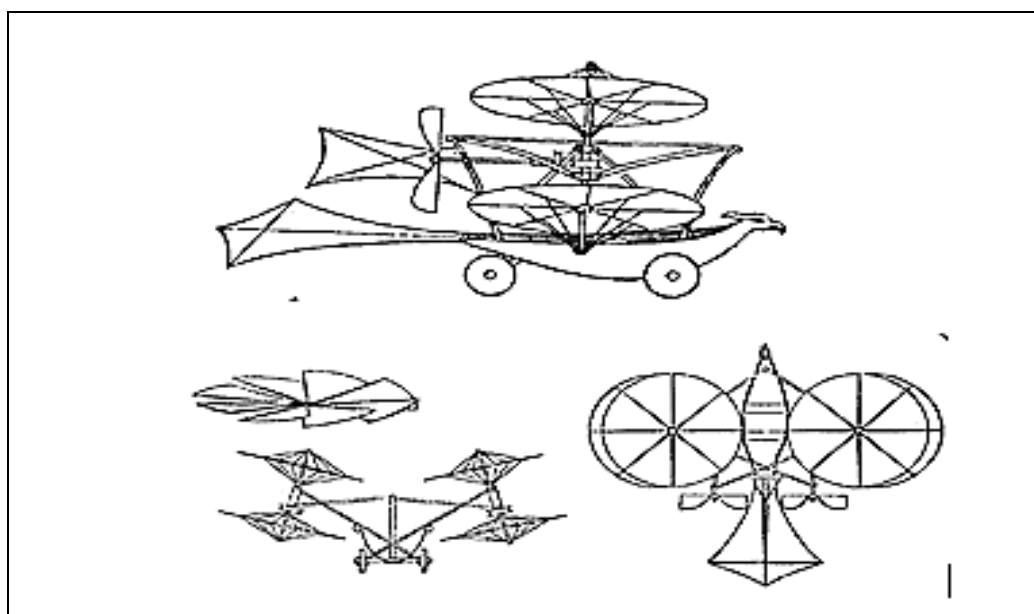


Figura 12: A máquina aérea de George Carley
Fonte: Aviastar, (2012).



Figura 13: O Auto-Giro de Juan de La Cierva
Fonte: Chediac, (1989).

O alemão Heinrich Focke (1938) realizou o primeiro voo bem sucedido, cuja duração foi de uma hora e meia. Durante o voo, ele realizou com o seu aparelho, o “*Focke-Achgelis FW-61*”, em 1937 deslocamentos em todas as direções, manobras de subidas e descidas, mantendo a estabilidade e controle da aeronave. Mas somente em 1940 *Igor Sikorsky* conseguiu preencher os requisitos de um verdadeiro helicóptero, o VS-300 ilustrado na Fig. 14.



Figura 14: O VS-300 de Igor Sikorsky.
Fonte: ASME, (2012).

No Brasil, o surgimento do helicóptero foi motivado pela necessidade de pulverização agrícola em 1948 em São Paulo. Na década de 50 a Força Aérea Brasileira abrigou os primeiros helicópteros *Belle 47* destinados ao grupo de transporte especial situado no Aeroporto Santos Dumont. Pouco depois, chegaram dos EUA os primeiros helicópteros *Bell* (Fig. 15) e *Sikorsky* destinados a equipar os Grupos de viação embarcada e de busca e salvamento. Mais tarde, esse tipo de

aeronave também foi integrado ao dia a dia do Exército Brasileiro. Atualmente fazem parte do dia a dia das metrópoles.



Figura 15: O Helicóptero Bell 47
Fonte: Portal São Francisco (2018).

O Helicóptero tem como sua principal característica o poder de voar verticalmente e próximo ao solo lentamente e com segurança. Em sua estrutura, o helicóptero é sustentado por um ou mais rotores. As dimensões das pás podem variar de 4 a 20 metros de comprimento de acordo com o porte da aeronave. O tamanho do rotor está diretamente relacionado com a potência. Quanto maior o rotor, menor a potência e maior o peso. Para terem um bom rendimento aerodinâmico, os rotores têm que girar entre 150 a 400 RPM, conforme as suas dimensões, o que demanda a colocação de uma caixa de redução para acioná-los. Apesar dos motores à turbina substituírem os motores a pistão por serem muito grandes e pesados, estas máquinas continuaram bastante ruidosas.

3.3.2 Ruídos dos helicópteros

Os componentes dinâmicos dos helicópteros provocam ruídos e vibrações que causam danos à saúde. A exposição prolongada e repetida a estes ruídos são a causa da fadiga auditiva e a fadiga geral. (Machado e Reisdorfer, 2011) Após doze a dezesseis horas de exposição a um ruído de 80 dB, o ouvido irá se adaptar, porém a repetição constante a esta exposição, dar-se-á início à fadiga auditiva com perda

da sensibilidade auditiva, que poderá ser temporária, se o ruído cessar ou definitiva, evoluindo para o último estágio, a surdez.

Segundo Machado & Reisdorfer (2011), uma das características do helicóptero é a capacidade de circular em áreas densamente urbanizadas gerando críticas quanto a exposição das pessoas ao ruído.

Georges Ferreira (2019) mostra que a relação do ruído, com a sua fonte é esclarecida no Anexo 16 da Organização da Aviação Civil Internacional (ICAO).

O FAR 36 e o Anexo 16 da ICAO, agência especializada da Organização das Nações Unidas, estabelecem limites máximos de ruído em função do peso máximo de decolagem, tanto para aeronaves de asa fixa como para helicópteros civis. Um helicóptero com peso máximo de decolagem de 2730 kg, por exemplo, não pode ter um nível de ruído superior a 87,378 dB, medido a 150 metros de distância da aeronave (Ferreira, 2019).

A principal fonte de ruído dos helicópteros é de origem mecânica e de sua estrutura. Os ruídos mecânicos estão associados à rotação do rotor principal, representado na Fig. 16.

São fontes de ruído: a caixa de redução do motor, a caixa de transmissão principal e acessórios, a caixa de transmissão traseira e as vibrações na estrutura.

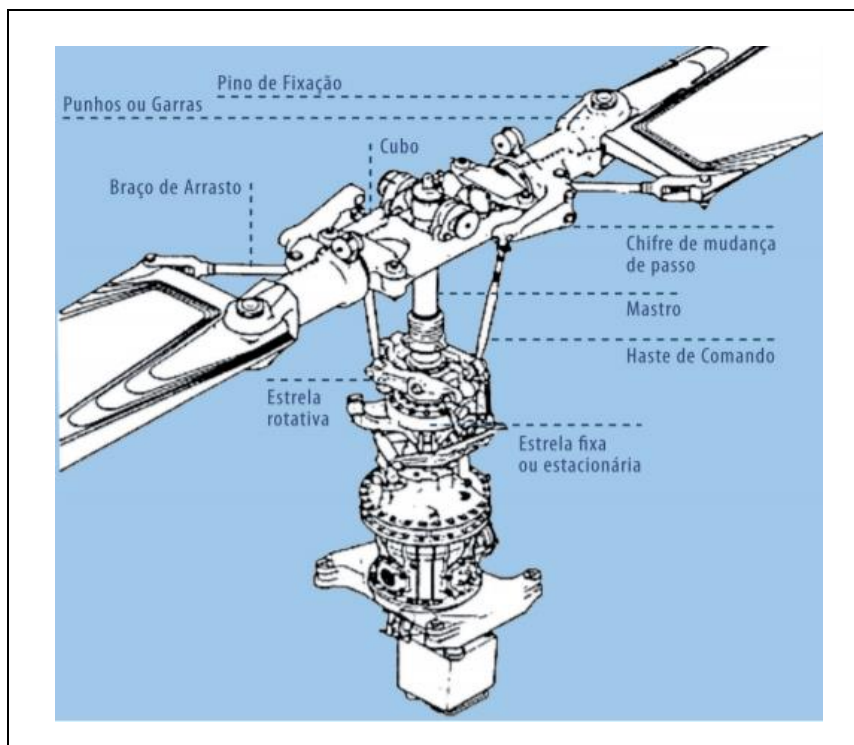


Figura 16: Rotor principal e suas partes

Fonte: Machado e Reisdorfer (adaptada de Helicopterparts), (2011).

O rotor principal, o rotor de cauda e a entrada do ar no motor são as principais fontes de ruído de origem aerodinâmica. Machado e Reisdorfer (2011) classificam os tipos de ruído advindos do rotor como operacionais, de vórtice ou banda larga e ruído impulsivo ou “*slap*” como mostrado na Tab. 9 abaixo representada.

Tabela 9: Definição do ruído do rotor

Categoria dos ruídos do rotor	Definição dos ruídos
Operacionais	É o ruído proveniente das componentes das forças periódicas de sustentação e de arrasto das pás.
Vórtice ou banda larga	São originários das flutuações aleatórias de sustentação causadas pelo movimento das pás de um rotor e tem intensidade maior do que a do ruído rotacional e fica em uma faixa audível de 150 a 1000 Hz com picos em torno de 300 ou 400 Hz. O ruído de vortex engloba os ruídos devido aos efeitos de separação e de turbulência na camada limite e dos efeitos das esteiras do rotor, sendo a principal fonte de ruído dos rotores de grande diâmetro.
“ <i>Slap</i> ” (“ <i>Blade Slap</i> ”) ou ruído impulsivo	o ruído semelhante a uma palmada violenta (“ <i>slap</i> ”) sobre a mesa só se verifica no voo à frente e tem duas origens distintas: o surgimento dos efeitos de compressibilidade e a interação do vórtice de uma pá sobre a outra.

Fonte: Machado e Reisdorfer (2011).

Quanto maior o tamanho e o peso da aeronave, maior terá que ser o rotor, e, conseqüentemente, mais ruidosa ficará a aeronave. A Fig. 17 exemplifica os tipos de rotores como:

- A- Rotor duplo coaxial - são dois rotores no mesmo eixo girando em sentidos contrários, anulando deste modo, o torque entre si, dispensando o rotor de cauda. esse é o tipo de helicóptero mais silencioso porque grande parte dos ruídos de helicópteros surge da interação dos fluidos que passam de um rotor para outro em mastros separados;
- B- Tandem - são dois rotores dispostos longitudinalmente na fuselagem. Geralmente um rotor é instalado “mais alto” do que o outro e dispensam rotor de cauda;
- C- Engrenante - são dois rotores em eixos que são angulados entre si e sincronizados. Geram menos fluxo de ar descendente se comparados ao duplo-coaxial. O ângulo dos rotores faz com que as pás passem mais próximas ao solo. São geralmente utilizados para transporte de carga externa;

D- Lado a lado (D) são dois rotores instalados lateralmente apoiados por grandes suportes, acaba se assemelhando em muito a um avião. Também não possui rotor de cauda pois os rotores giram em sentidos contrários, anulando o torque.

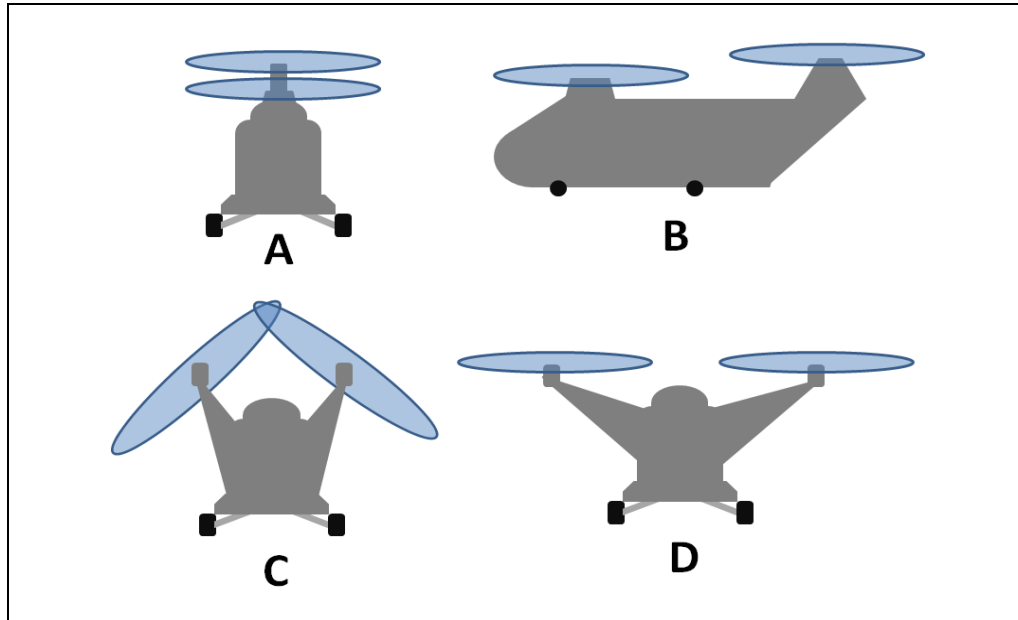


Figura 17: Exemplo de rotores
Fonte: *Aerospaceweb* (2019).

3.3.3 Tecnologias para redução do ruído das aeronaves

Para reduzir o ruído das aeronaves, tem-se que ir à fonte. De acordo com Machado & Reisdorfer (2011), pode-se listar algumas modificações de projeto e pilotagem que podem reduzir o ruído na fonte, são elas:

- baixar a velocidade de ponta de pá dos rotores principal e de cauda na fase conceitual do projeto. Porém como consequência da diminuição velocidade de pá, seria necessária uma área de pá maior o que aumentaria o peso do rotor para manter a eficiência.
- Modificação da aerodinâmica das pás.
- Pás não igualmente espaçadas e com espessura menor no rotor de cauda, segunda fonte principal de ruído externo do helicóptero
- Isoladores acústicos como a fibra de vidro e a parede geralmente é composta por uma colmeia (onde o tecido oferece uma resistência ao escoamento) e por uma cobertura perfurada, os quais aliam os efeitos de máscaras acústicas

e de atenuação por paredes com cavidades ressonantes para a redução dos ruídos na parte interna das aeronaves.

Além desses procedimentos, tecnologias de performance, peças, materiais e tipos de rotores e motores, no intuito de minimizar o ruído, o treinamento dos pilotos, a localização de áreas menos habitadas para projetar as rampas de acesso e as rotas são fundamentais (Fig. 18).

- Técnicas de voo para redução de ruídos como iniciar o procedimento de descida com uma velocidade à frente e com uma razão de descida maiores que as convencionais. Basicamente, trata-se de utilizar uma rampa mais vertical e com uma velocidade maior, expondo à vizinhança localizada próxima à área de pouso ao mínimo ruído possível;
- Evitar voos pairados ou de baixa altitude (150 m);
- O Planejamento das rotas de voo evitando o sobrevoo de áreas sensíveis ao ruído e a concentração de movimentos de helicópteros em uma determinada rota;
- Não realizar movimentos bruscos.

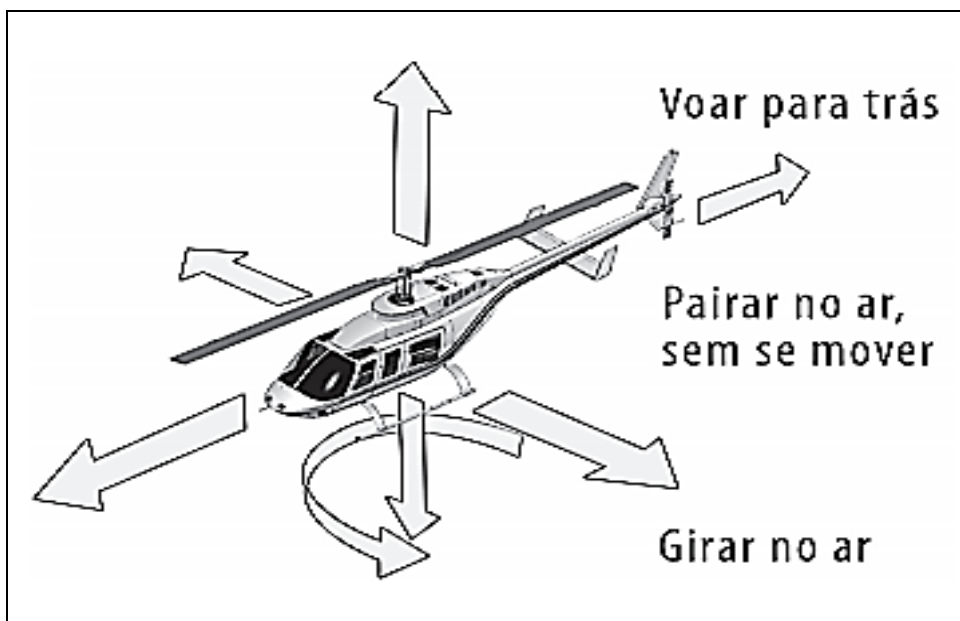


Figura 18: Exemplo de movimentação de um helicóptero
Fonte: *Howstuff* (2011).

Todas estas tecnologias e novas performances de voo beneficiaram a utilização desse tipo de transporte nas áreas urbanas consolidadas. Abaixo, a Fig.19 ilustra as partes, componentes e sistemas de um helicóptero, para melhor

visualização das partes componentes e sistemas que emitem o ruído, tais como o rotor principal, o rotor de cauda e o motor.

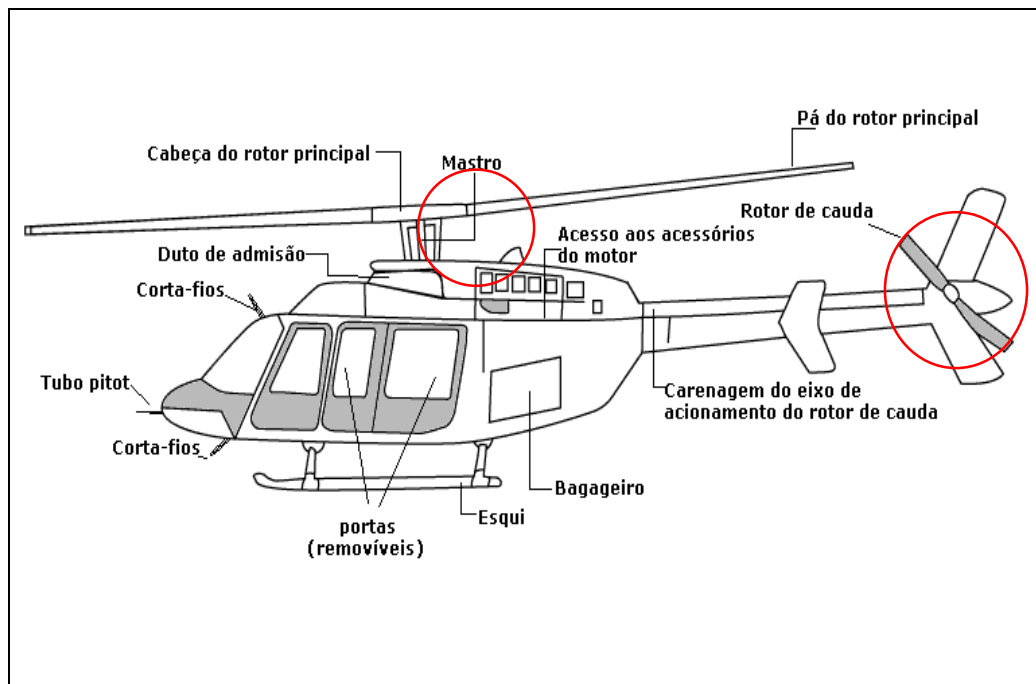


Figura 19: Partes, componentes e sistemas que formam um helicóptero
Fonte: de Machado e Reisdorfer (2011).

3.3.4 Certificação

A Organização de Aviação Civil Internacional – OACI - recomenda a redução do ruído na fonte para os novos projetos de aeronaves em atendimento às regras do Anexo 16, volume I (ICAO, 1988). As aeronaves são classificadas quanto a sua emissão de ruído, como a seguir:

a) NC (Não Certificadas) - aeronaves fabricadas nas décadas de 50 e 60, equipadas com motores da 1ª geração e extremamente ruidosas (jato puro), são consideradas extremamente ruidosas, como por exemplo as aeronaves do tipo B707, DC-08 e Caravelle

b) Capítulo 2 - aeronaves equipadas com a segunda geração de motores (motores à reação - turbofan) com baixa taxa de BRP e fabricadas nas décadas de 70 e 80 menos ruidosas, com redução de 50% em relação às aeronaves Não Certificadas, e ainda são muito ruidosas. São exemplos de aeronaves Capítulo 2: B-727-200, B-737-200 ADV, Learjet série 20, B-747-100, DC-09 e similares.

c) Capítulo 3 - aeronaves equipadas com a 3ª geração de motores (motores à reação – turbofan) com alta taxa de BRP e fabricadas a partir da década de 90, sendo considerados pouco ruidosas. São exemplos de aeronaves: F100, B737/300, 400 e 500, DC10/30, MD11, A340, A300.

d) Capítulo 4 - aeronaves equipadas com os motores de última geração, com graus de sofisticação elevados e são, atualmente, as menos ruidosas. Fabricados a partir de 10 de janeiro de 2006, possuem uma redução de ruído de 10 dB(A) em relação as aeronaves da 3ª geração.

Para a certificação acústica das aeronaves, três medições são necessárias:

- 1- uma na aproximação,
- 2- uma na decolagem,
- 3- uma terceira em um ponto de medição lateral.

Os atuais requisitos de ruído para a certificação acústica de helicópteros estão dispostos no Capítulo 8 e 11 do Anexo 16. Os requisitos de ruído do FAA, constam nos Apêndices 10 e 11 do documento 14 CFR Parte 36. A tabela 9 lista os capítulos do Anexo 16 onde estão relacionados o tipo de aeronave com a data de homologação da certificação, e onde são encontrados os limites de emissão sonora para certificação acústica.

As regras contidas no Capítulo 8 são aplicadas a todos os helicópteros, com exceção daqueles projetados exclusivamente para uso na agricultura, no combate a incêndio ou com propósitos de transporte de carga, estes são isentos do cumprimento dos padrões de ruído. Já no Capítulo 11, a classificação é opcional, podendo o requerente da certificação optar por cumprir os requisitos dispostos no capítulo 8 ou 11. O Capítulo 11 foi resultado de um novo padrão de ruído adotado para helicópteros leves em novembro 1993.

Tabela 10: Limites de emissão sonora da certificação acústica de aeronaves

Capítulos dos Anexo 16	Tipo de aeronave	Data de homologação
2	Aeronaves à reação subsônicas	Antes de 6 /10/ 1977
3	Aeronaves à reação subsônicas	De 6 /10/ 1977 a 2005
	Aeronaves a hélice, acima de 5.700kg	De 1985 até 17/11/1988
	Aeronaves a hélice, acima de 8168 kg	De 17/11/1988 a 2005

4	Aeronaves à reação subsônicas e Aeronaves a hélice, acima de 5700 kg ou acima de 8168 kg.	A partir de 01/01/2006
5	Aeronaves a hélice, acima de 5700 kg.	Antes de 1985
6	Aeronaves a hélice, até 8168 kg.	De 1975 a 1988
8	Helicópteros (1)	A partir de 1985
	Helicópteros (2)	A partir de 2002
10	Aeronaves a hélice, até 8168 kg	A partir de 1988
11	Helicópteros até 3.175 kg (1)	A partir de 1993
	Helicópteros até 3.175 kg (2)	A partir de 2002

Fonte: ICAO (2007).

A medição dos limites dos níveis de ruído para certificação acústica de helicópteros é calculada em função do peso máximo de decolagem - MTOW (*Maximum Take-Off Weight*). De acordo com a classificação do Capítulo 8, os níveis de ruído de helicópteros leves ($M=MTOW > 0,788$ para pouso é de 90 dB, 89 dB para decolagem, e 88 dB para sobrevoos (Cap. 8). Já o nível de ruído de sobrevoos para o mesmo tipo de aeronave no Capítulo 11 é de 82 dB. Segundo testes realizados pela Agência Europeia para a Segurança da Aviação – EASA (*European Aviation Safety Agency*), em diversos modelos de helicópteros, o ruído emitido no pouso é maior do que o ruído emitido na decolagem e no sobrevoos nesta ordem.

A classificação das aeronaves no tempo auxilia na gestão e monitoramento dessas aeronaves, avaliando o ciclo de vida destas. Novas tecnologias com aeronaves menos ruidosas permitem, na implantação de helipontos, menos restrições no uso e ocupação do solo.

Os testes para certificação acústica dos helicópteros envolvem medições dos níveis sonoras durante ensaios de voo, na métrica EPNL em dB. São exigidos nove pontos, conforme ilustrado na Fig. 20 (Gama, 2012).

Segundo Gama (2012), na decolagem, o ponto de medição fica localizado abaixo do trajeto, distando 500m do início do procedimento (K1) e, os outros 2 pontos simétricos a este, na distância de 150 m (K1') (K1''). Já no pouso, os pontos de medição ficam localizados abaixo do trajeto, distando 1.140m do fim do procedimento (K3) e, outros 2 pontos simétricos a este, na distância de 150 m (K3') (K3''). No sobrevoos, um ponto de medição de referência fica localizado no

trajeto da aeronave, a 150m de distância vertical do helicóptero (K2) e, outros 2 pontos simétricos ao ponto de referência, na distância de 150 m (K2') (K2''). Para helicópteros mais leves, referenciados no Capítulo 11 do Anexo 16, as medições são realizadas apenas no sobrevoo, e a métrica utilizada é o SEL em dB(A).

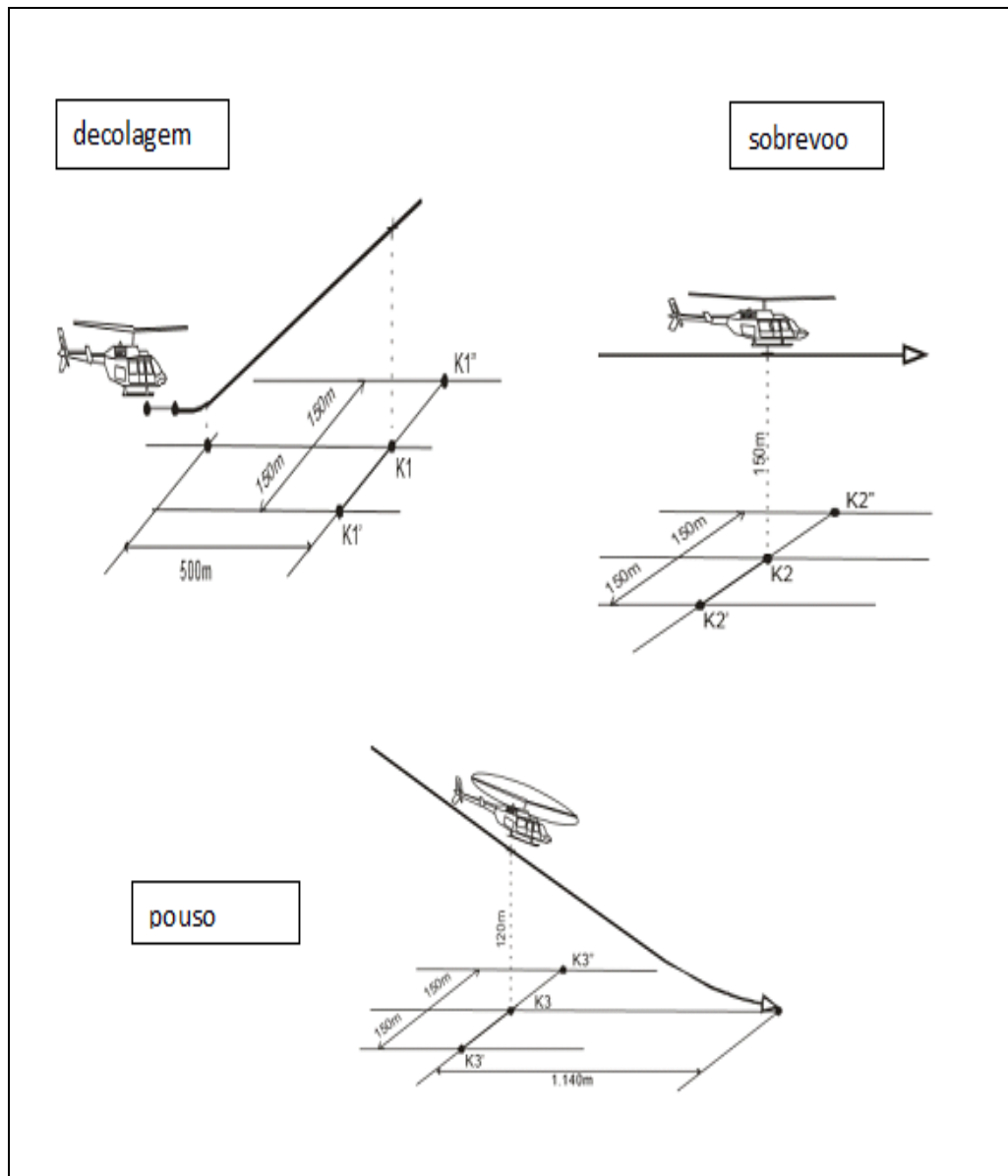


Figura 20: Ponto de medição de ruído para decolagem, pouso e sobrevoo.
Fonte: Gama (2012).

Grandes investimentos em pesquisa e desenvolvimento de novas tecnologias para redução do ruído, foram feitas pelos fabricantes de aeronaves nas últimas décadas. As aeronaves produzidas atualmente são em torno de 50% mais silenciosas do que eram há 20 anos (ANAC, 2016). Alguns fabricantes já trabalham

com o rotor de cauda embutido, o que diminui o nível de ruído emitido por tais aeronaves.

3.3.5 Gestão e monitoramento

Procedimentos operacionais, tais como, utilizar trajetórias de voo que evitem o sobrevoos de áreas urbanizadas, desviando o excedente de tráfego para áreas não habitadas ou adotar técnicas de voo que permitam reduzir a potência do motor logo depois da decolagem são utilizados para reduzir o impacto do ruído sobre as comunidades vizinhas. Também são aplicadas restrições de operação, as quais limitam às operações das aeronaves, com base nas considerações ambientais. É o caso da adoção de *curfews*, o fechamento total do aeroporto durante os horários mais sensíveis, funcionando só para operações de emergência, o que também poderia ser aplicado nos helipontos.

A OACI defende que o impacto ambiental causado por aeroportos e aeródromos pode ser mitigado através de um planejamento prévio e uma gestão ambiental adequada, com a integração dos diversos órgãos responsáveis pelo licenciamento (ANAC,2019)

Romiti (2017), em entrevista a *On Air* 13ª Edição, afirmou que fortes investimentos na área de redução de ruído, em especial, por meio de rotores ativos, assim como, novas tecnologias elétricas e rotas de voo que privilegiam o baixo ruído, tem reduzido a poluição sonora. Iniciativas como o projeto “*Green Rotorcraft Integrated Technology Demonstrator*”, junto à iniciativa *Clean Sky 2*, o qual tem como objetivo projetar e testar uma variedade de tecnologias e sistemas de aeronaves de rotor, tem conseguido avanços na pesquisa de redução de ruído, como por exemplo o aprimoramento do desempenho do rotor de 3 a 5%, permitindo que rotores ativos alterem a geometria de suas lâminas durante o voo, conseguindo maior otimização. Novas tecnologias têm sido agregadas aos componentes físicos e à performance dos pilotos. Sistemas elétricos mais potentes, compactos e leves, com baterias, geradores, motores de tecnologias de ponta, se preparam para a integração. Tecnologias de acionamento do rotor de cauda elétrico que podem reduzir o número de peças, melhorar o tempo médio entre as manutenções, permitir

variação de rpm para economia de energia no controle de cruzeiro e rumo, tendo como consequência o aumento de energia e economia da inércia do rotor para autorrotação. A utilização do trem de pouso totalmente elétrico do tipo AW169, capaz de navegação avançada e combinados com sistemas de planejamento de missão, avaliando a trajetória de voo, permitem as emissões de ruído e poluentes, mitigando o impacto ambiental. Os testes de voo VFR / IFR com redução de 30% de emissão de ruído e simulação acoplada ao sistema de tráfego aéreo entre motores.

Empresas de tecnologia aérea têm buscado interagir com a comunidade reguladora da aviação civil internacional com o propósito de adaptar a legislação atual da aviação, de modo a permitir a exploração do conceito de tiltrotor, veículos compostos e não tripulados e todos os recursos e tecnologias relevantes.

Os helicópteros integram o sistema de mobilidade urbana do município, dependendo de vários setores para regulamentar licenciamento para instalação de helipontos em áreas urbanas. O Estatuto da Cidade (Brasil, 2001), norma geral sobre o planejamento e gestão do espaço urbano, dispõe sobre essas atividades que causam impacto no meio urbano, como será visto a seguir.

4 Planejamento Urbano – Instrumentos

O zoneamento do município é um instrumento importante no licenciamento de helipontos na cidade. Para cada zoneamento há um limite de ruído aceitável para as atividades ali desenvolvidas. A métrica aplicada no zoneamento urbano das cidades brasileiras é o nível sonoro equivalente LAeq, considerando os efeitos nocivos do ruído para os períodos diurno e noturno, disponibilizado na NBR 10.151 (ABNT, 2019).

A implantação de um heliponto em uma área residencial vai depender da distância das edificações em relação ao empreendimento, de modo a compatibilizar os níveis de ruído considerados aceitáveis para esta zona. O mesmo se refere ao topo das edificações. Uma edificação residencial não poderia abrigar em seu topo, um ponto de heliponto sem extrapolar os níveis de ruídos tolerados para a atividade residencial. Deste modo, a Administração Municipal e Estadual, como parte importante no licenciamento, atuando nos processos de zoneamento urbano e ambiental, analisa a compatibilidade da nova implantação com os usos e atividades existentes na Lei de Ocupação e Uso do Solo (LUOS).

4.1 Estudo de Impacto de Vizinhança

Para considerar a implantação e funcionamento de um Heliponto integrando-o no Plano Diretor da Cidade e no seu zoneamento urbano, será necessário retornar às normas gerais sobre o assunto.

A implantação e a operação de um heliponto dependerá de prévio licenciamento ambiental, como estabelece o artigo 2º da Resolução CONAMA nº 237 (Brasil, 1997).

Art. 2º- A localização, construção, instalação, ampliação, modificação e operação de empreendimentos e atividades utilizadoras de recursos ambientais consideradas efetiva ou potencialmente poluidoras, bem como os empreendimentos capazes, sob qualquer forma, de causar degradação ambiental, dependerão de prévio

licenciamento do órgão ambiental competente, sem prejuízo de outras licenças legalmente exigíveis (Brasil, 1997).

O Estatuto da Cidade Lei 10.257 (2001), o qual regulamenta os artigos 182 e 183 da Constituição Federal de 1988, estabelece as diretrizes gerais da política urbana e possui como um dos seus objetivos, a “ordenação e o controle do uso do solo de modo a evitar [...] a poluição e a degradação ambiental”. Para que isto se concretize, o artigo 4º da referida lei disciplina quais os instrumentos serão utilizados para implementar a política urbana e dentre eles, encontra-se o Estudo de Impacto de Vizinhança (EIV), detalhado nos artigos 36 e 37 do Estatuto.

Art. 36 -Lei municipal definirá os empreendimentos e atividades privados ou públicos em área urbana que dependerão de elaboração de estudo prévio de impacto de vizinhança (EIV) para obter as licenças ou autorizações de construção, ampliação ou funcionamento a cargo do Poder Público municipal (Brasil, 2001).

O Estudo de Impacto de Vizinhança tem como objetivo analisar e informar previamente à gestão municipal quanto aos impactos gerados com implantação de empreendimentos e atividades, visando o interesse da coletividade. De acordo com o disposto no artigo 36, a elaboração do EIV deve ser prévia ao licenciamento, para que sejam avaliados aspectos positivos ou negativos de sua implantação sobre a vizinhança e orientar a prefeitura na análise do pedido de licença, a qual poderá exigir alterações, mitigadoras e compensadoras, no projeto do empreendimento. No entanto, existem casos onde o empreendimento foi implantado sem autorização do órgão competente ou quando não existia legislação municipal específica, nestes casos, o EIV pode também ser elaborado após o empreendimento ser parcial ou integralmente implementado. Apesar de nesses casos o instrumento avaliar fatos existentes, não impede que o poder público exija medidas mitigadoras, inclusive considerando a existência de novos fatos urbanos, posteriores à implantação do empreendimento, os quais deverão ser considerados na análise do estudo.

O artigo 37 do Estatuto da Cidade estabelece o conteúdo mínimo a ser abordado pelo EIV.

Art. 37 - O EIV será executado de forma a contemplar os efeitos positivos e negativos do empreendimento ou atividade quanto à qualidade de vida da população residente na área e suas proximidades, incluindo a análise, no mínimo, das seguintes questões:
I -adensamento populacional;

- II -equipamentos urbanos e comunitários;
- III -uso e ocupação do solo;
- IV -valorização imobiliária;
- V -geração de tráfego e demanda por transporte público;
- VI -ventilação e iluminação;
- VII -paisagem urbana e patrimônio natural e cultural.
- VIII -definição das medidas mitigadoras dos impactos negativos, bem como daquelas intensificadoras dos impactos positivos (Brasil, 2001).

Será considerado na quantificação do nível de incomodo sofrido pela população afetada, não só a população residente, como também a população flutuante, como por exemplo, os trabalhadores que não residem no local e os usuários dos equipamentos urbanos locais, tais como, escolas, hospitais, entre outros. Para avaliação do nível de incomodidade gerado às populações expostas ao impacto, o estudo considerará o tipo, o tamanho e o local onde será implantado o empreendimento ou desenvolvida a atividade, associando-os à malha urbana local, definida pela Lei de Uso e Ocupação do Solo. O resultado orientará o poder público nas decisões a serem tomadas em relação ao licenciamento.

A aplicação do EIV não autoriza o licenciamento de usos não permitidos através de contrapartidas na forma de medidas mitigadoras e compensatórias, ou seja, o zoneamento tem que ser respeitado, isso é atribuição do poder público municipal. Há uma tendência de adoção de zonas mistas nos municípios, o que confere ao EIV maior importância na mediação dos conflitos gerados pela implantação de empreendimentos que causam impacto nas regiões no seu entorno.

Existem duas correntes de pensamento que versam sobre o papel do EIV no processo de licenciamento. A primeira defende que o resultado do EIV poderia vedar a implantação de um empreendimento com uma análise de impacto negativo para determinado local da cidade, e a segunda entende que não caberia ao EIV decidir se o empreendimento deve ser implantado, mas de que maneira, ele deve ser (Schavarsberg, *et. al.* 2016).

Todos os itens do artigo 37 são pertinentes quando se trata de poluição sonora. Os aspectos sociais, econômicos e ambientais devem ser analisados cuidadosamente, pois antes de mais nada, a saúde da população exposta tem grande relevância. Apesar de serem tomadas todas as providências, para que o incomodo gerado nas comunidades vizinhas ao heliponto sejam mitigadas, a atividade modificará o espaço urbano e exigirá dos planejadores urbanos municipais, que

sejam feitas alterações no uso e ocupação do solo. O Plano de Zoneamento de ruído da Portaria nº 256 GM5 (Brasil, 2011), avalia se as atividades existentes no entorno dos helipontos, são compatíveis com os níveis de ruídos emitidos pela circulação das aeronaves na área, mas não prevê a limitação a futura ocupação dos demais lotes, existentes, porém, não edificadas. Deste modo, a permissão de implantação de um heliponto, limita o licenciamento edilício das áreas vizinhas a ele, no que diz respeito as licenças de construção, modificação com acréscimo de área e transformação de uso, pois as áreas mapeadas, ou estavam de acordo, ou sofreram algum tratamento para se adequar ao nível sonoro das curvas de ruído.

É importante ressaltar que, de acordo com o art. 38. A elaboração do EIV não substitui a elaboração e a aprovação de estudo prévio de impacto ambiental (EIA); requeridas nos termos da legislação ambiental (Brasil, 2001). Do mesmo modo, as audiências públicas e a publicitação do resultado do EIV são fundamentais para garantir a qualidade de vida da população.

4.2 Transferência do Direito de Construir

O problema da limitação do direito de construir, como consequência da implantação de um heliponto em áreas urbanas, esbarra no direito ambiental. A construção de um aeroporto, por exemplo, restringe o gabarito de edificações existentes e de futuras edificações da área circunvizinha, mas, do mesmo modo que os benefícios advindos da implantação de um aeroporto para uma determinada região, em termos de desenvolvimento econômico, turístico e cultural, poderiam, compensar as restrições de caráter individual ou coletivo de uma pequena área, em prol de um beneficiamento de uma cidade, os helipontos, em especial os públicos, podem ser imprescindíveis para atender à população do entorno dessas áreas. Entretanto, no caso do heliponto privado, o direito individual, do proprietário do empreendimento, não pode se sobrepor ao direito coletivo ou difuso. Nos dois casos, o direito de construir do proprietário dos lotes das áreas do entorno do empreendimento, sofre restrições, devendo por isso, o empreendedor, ressarcir a diferença do direito de construir dos proprietários dos terrenos circunvizinhos, atingidos pelo PBZR. Isso valeria para as construções existentes e as futuras. O

Estatuto da Cidade disponibiliza alguns instrumentos que auxiliam no planejamento e gestão do espaço urbano que poderiam ser utilizados no plano de mitigação e compensação da poluição sonora ambiental em decorrência da implantação de helipontos em áreas urbanas.

Segundo Furtado et. al. (2017), a Carta de Embu (1976), ao tratar do solo criado, define que o proprietário de imóvel sujeito a limitações administrativas, que impeçam a plena utilização do coeficiente único de aproveitamento da edificação, poderá alienar a parcela não utilizável do direito de construir. A utilização do instrumento transferência do direito de construir (TDC), explicitada no Art. 35 do Estatuto da Cidade (2001), poderia compensar o proprietário, cujo direito de construir foi limitado pela instalação de um heliponto.

Art. 35. Lei municipal, baseada no plano diretor, poderá autorizar o proprietário de imóvel urbano, privado ou público, a exercer em outro local, ou alienar, mediante escritura pública, o direito de construir previsto no plano diretor ou em legislação urbanística dele decorrente, quando o referido imóvel for considerado necessário para fins de:

I – Implantação de equipamentos urbanos e comunitários;

II – Preservação, quando o imóvel for considerado de interesse histórico, ambiental, paisagístico, social ou cultural;

III – servir a programas de regularização fundiária, urbanização de áreas ocupadas por população de baixa renda e habitação de interesse social.

§ 1º A mesma faculdade poderá ser concedida ao proprietário que doar ao Poder Público seu imóvel, ou parte dele, para os fins previstos nos incisos I a III do caput.

§ 2º A lei municipal referida no caput estabelecerá as condições relativas à aplicação da transferência do direito de construir (Brasil, 2001).

A Lei federal 6.766 (Brasil, 1979) conceitua equipamentos comunitários e urbanos da seguinte maneira: a) equipamentos comunitários são os equipamentos públicos de educação, cultura, saúde, lazer e similares; b) equipamentos urbanos são os equipamentos públicos de abastecimento de água, serviços de esgoto, energia elétrica, coleta de águas pluviais, rede telefônica e gás canalizado. Considera-se que a limitação do direito de construir está vinculada à implantação de equipamentos urbanos e comunitários, ou, no caso da preservação ambiental, como ação compensatória da poluição gerada, a qual beneficiaria toda a comunidade vizinha, poder-se-ia lançar mão deste instrumento para transferir o direito de construir de um proprietário de terreno no entorno do heliponto, cujo Plano Básico de Zoneamento de Ruído, restringiu a capacidade construtiva deste. Deste modo, se o terreno se localiza dentro da curva de zoneamento de ruído, onde o nível de pressão

sonora não é compatível com a atividade residencial ou comercial, ou tenha seu gabarito limitado pelos níveis de pressão sonora advindos desse tipo de empreendimento, o proprietário do terreno poderia transferir o coeficiente de aproveitamento suprimido, em outro local.

No caso de helipontos no topo das edificações, seria necessário mapear os pontos críticos no topo das edificações e verificar o nível de pressão sonora desses pontos e futuras construções ou acréscimos.

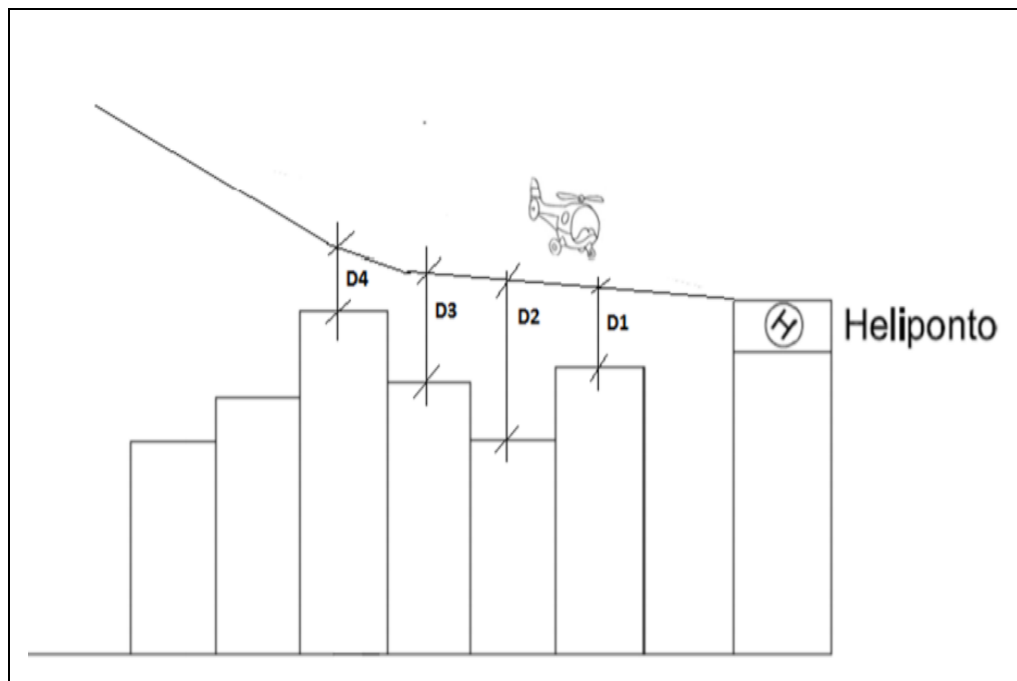


Figura 21: Cálculo de ruído máximo de operação
Fonte: SMVU (2015).

Nota-se na Fig. 21, que o ponto D4 é o ponto sensível crítico (PCn), onde o nível de pressão sonora é mais elevado em função da distância. Deste modo, as edificações ao redor do heliponto terão o seu gabarito limitado em função do nível de pressão sonora emitido pela operação das aeronaves. A presunção do prejuízo econômico ocasionado por esta limitação poderia ser ressarcida através do instrumento TDC.

Observados os dispositivos exigidos no Estatuto da Cidade, norma geral, e no Plano Diretor do município em questão, o qual definirá as áreas receptoras, onde o município tem interesse no adensamento e outras definições, referentes aos incisos que se referem a finalidade do instrumento para que seja verificada a aplicabilidade do instrumento no presente caso, o coeficiente construtivo, direito do proprietário, poderá ser transferido e comercializado.

Deste modo, o impedimento ou restrição parcial ou total sofrida em um terreno, pode ser exercida em outro terreno como ilustra a Fig. 22.

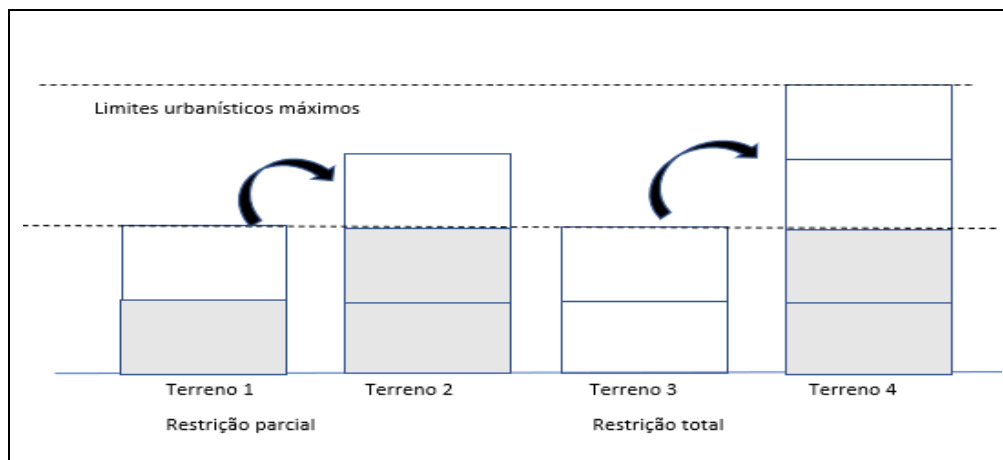


Figura 22: Transferência do Direito de Construir
Fonte: Brasil (2016).

Segundo José Afonso Silva (2008), existem dois tipos de TDC, a TDC interlocativa, quando o proprietário do imóvel urbano, nas condições estabelecidas, pela lei municipal, exerce em outro local de sua propriedade, o direito de construir e a TDC intersubjetiva, quando o direito de construir, previsto no Plano Diretor, ou em legislação específica dele decorrente, é alienado a outro proprietário. (Brasil, 2016) Deste modo, a limitação construtiva imposta a essas edificações ou terrenos, poderiam ser exercidas em outro local e esse direito poderia ser recebido em documento e comercializado com o dono do empreendimento, que, ao adquiri-lo, poderá exercê-lo em outro local. Entretanto, o poder público municipal elege os locais receptores da TDC, a qual tem que ser autorizada, assim como os seus termos.

5 Licenciamento de Helipontos no Rio de Janeiro

A cidade do Rio de Janeiro, declarada pela UNESCO Capital Mundial da Arquitetura, que tem a importante missão de proteger o ambiente construído e natural, empreendeu uma jornada em busca de uma normatização para o licenciamento de Helipontos, que assegurasse a viabilidade desses empreendimentos e, ao mesmo tempo, preservasse à saúde da população exposta a poluição sonora.

De acordo com o Conselho Municipal do Meio Ambiente - CONSEMAC-RJ- o aumento do número de solicitações de licenciamento para a implantação de helipontos privados, tanto na cobertura de edificações, existentes ou a construir, como no solo, em diferentes áreas da cidade, esbarrou na falta de parâmetros, tendo em vista a falta de definição na legislação vigente no tocante a esta questão. Por se tratar de atividade de impacto local conforme disposto na Lei Complementar nº 140 e Resolução CONEMA nº 42 (Brasil, 2012), o licenciamento ambiental é atribuição da Secretaria Municipal de Meio Ambiente - SMAC.

Considerando:

- que a Lei Complementar nº 140, de 08 de dezembro de 2011, fixou normas, nos termos dos incisos III, VI e VII do caput e do parágrafo único do art. 23 da Constituição Federal, para a cooperação entre a União, os Estados, o Distrito Federal e os Municípios nas ações administrativas decorrentes do exercício da competência comum relativas à proteção das paisagens naturais notáveis, à proteção do meio ambiente, ao combate à poluição em qualquer de suas formas e à preservação das florestas, da fauna e da flora, alterando ainda a Lei nº 6.938, de 31 de agosto de 1981, [...]

Resolve:

Art. 1º. Fica definido, para fins desta Resolução, que impacto ambiental de âmbito local é qualquer alteração direta ou indireta das propriedades físicas, químicas e biológicas do meio ambiente, que afetem a saúde, a segurança e o bem-estar da população; as atividades sociais e econômicas; a biota; as condições estéticas e sanitárias do meio ambiente; e/ou a qualidade dos recursos ambientais, dentro dos limites do Município - Resolução CONEMA nº42 (Brasil, 2012).

A implantação desta atividade envolve também aspectos construtivos, que dependem do licenciamento de edificações da Secretaria Municipal de Urbanismo – SMU; assim como a anuência de todos os órgãos que garantem a integridade das edificações e a segurança dos usuários, como, por exemplo, o Corpo de Bombeiros CBMERJ. Neste cenário, a Prefeitura da Cidade do Rio de Janeiro, criou grupos de trabalho multidisciplinares integrando diversas Secretarias como a do Meio Ambiente, Urbanismo, Transporte e Turismo, além de membros do CBMERJ e da ANAC.

No ano de 2012 o Projeto de Lei Complementar nº 79 (Brasil, 2012), estabelece as diretrizes e normas de uso e ocupação do solo referentes a construção, instalação, reforma, ampliação, funcionamento e utilização de aeródromos, heliportos e helipontos no Município do Rio de Janeiro. Neste documento, a justificativa para regulamentação de uma legislação que compatibilizasse a atividade aérea com o uso do solo, era devido as reclamações de moradores dos bairros do Humaitá, Jardim Botânico, Lagoa, Botafogo, Flamengo, Santa Tereza, Tijuca, Laranjeiras, Méier, São Cristóvão, Copacabana, Ipanema, Leblon, Barra da Tijuca e Recreio, Centro, Ilha do Governador, quanto a exposição ao nível de ruído acima do permitido. O PLC nº 79 (2012) determina que os aeródromos, heliportos e helipontos só seriam permitidos em terrenos vagos ou sobre edificações existentes com uso misto ou não residencial. O Município, deste modo, vincula a instalação e funcionamento dessas instalações ao uso do solo, determinando também, alguns parâmetros urbanísticos tais como afastamento frontal, lateral e fundos e gabarito. Além disso, dispõe sobre as proibições: em zonas estritamente residenciais, no topo de edificações residenciais e a uma distância mínima de 100 metros de casas de repouso, hospitais, escolas. O processo de licenciamento deve contemplar o Estudo de Impacto Ambiental e respectivo relatório (EIA/RIMA), Estudo de Impacto de Vizinhança e parecer favorável do Departamento de Aviação Civil (DAC). O PLC só faz distinção entre, Heliporto e Heliponto quanto à restrição do horário de funcionamento, deixando uma lacuna quanto às exigências do estudo de impacto ambiental, o qual poderia ser dispensado no caso de helipontos. Porém, apesar de não ter sido promulgada, pode-se considerar que foi um grande avanço em termos de estudo do planejamento urbano, e licenciamento ambiental dessas atividades, frente ao Município.

Em 04 de maio de 2015, foi publicada a Resolução SMAC nº 588 (Brasil, 2015) a qual estabelece critérios para o licenciamento Ambiental Municipal de Helipontos no Município do Rio de Janeiro. De acordo com a resolução, o requerente deverá apresentar os seguintes documentos:

- 1- Autorização da ANAC - Para o licenciamento de helipontos, os operadores tem que apresentar um Plano Básico de Zoneamento de Ruído aprovado pela ANAC.
- 2- Estudo de Viabilidade Local (EVAL).

Art. 3º O Estudo de Viabilidade Ambiental Local (EVAL) deverá minimamente:
I - Avaliar os impactos da atividade, com relação ao uso e ocupação do solo, no raio de 500 (quinhentos) metros medidos a partir da área de pouso e decolagem do heliponto;

II - Avaliar o nível potencial de pressão sonora resultante das operações do heliponto, de acordo com as disposições legais referentes à atividade, notadamente com relação ao ruído de fundo do local.

III – Apresentar as medidas mitigadoras aos potenciais impactos negativos;
Parágrafo Único. Dar-se-á publicidade aos documentos integrantes do EIV, que ficarão disponíveis para consulta, no órgão competente do Poder Público municipal, por qualquer interessado. (Brasil, 2015)

O EVAL foi elaborado, no sentido de avaliar os impactos ambientais e de vizinhança, específicos na implantação de Helipontos. Nota-se que a resolução não trata sobre o zoneamento de forma genérica, não havendo proibições ou permissões para instalação da atividade, mas, a exigência de um estudo de viabilidade local específico sobre o impacto sofrido pela população das comunidades vizinhas existentes. Tal concessão traria ao solo local, restrições construtivas nas áreas atingidas pelas curvas de ruído e uma conseqüente desvalorização imobiliária. Atualmente o EVAL decaiu e está em vigor a Resolução SMAC nº 12 (Brasil, 2020), a qual estabelece as diretrizes para o licenciamento ambiental de helipontos e heliportos no Município.

A Resolução SMAC nº 12 (Brasil, 2020) apresenta quais são os documentos a serem apresentados para análise do licenciamento e emissão das Licenças Municipais prévia (LMP), de Instalação (LMI) e de operação (LMO). Além disso, trata dos casos de cancelamento das licenças, fiscalização e prazos.

Em 31 de janeiro de 2020, foi publicada a Portaria MA/SUBMA/CCA nº 01 que reforça as diretrizes da Resolução nº 12 (Brasil, 2020), acrescentando nos

ANEXOS I, II e III os formulários e a lista de documentos necessários para o pedido de licenciamento das LMP, LMI e LMO respectivamente. Deste modo, para requerer a LMP é necessário preencher um formulário e apresentar cópia da documentação do requerente, pessoa física ou jurídica e a de seu procurador, se houver; junto com as plantas de localização e de situação e demais declarações emitidas pelos órgãos competentes (SMU, IPHAN, INEA, IRPH, entre outros). Aprovados os documentos e plantas, o requerente deverá apresentar uma simulação com as curvas de iso-ruído em programas de simulação dedicados, com demarcação em planta baixa, delimitando a área sensível e identificando os usos incompatíveis, o dimensionamento do incômodo da população vizinha, o número de pousos e decolagens e turno da operação do heliponto/heliporto e declaração informando se há ou não previsão de remoção de vegetação arbórea - Resolução SMAC nº 587 (Brasil, 2015).

Emitida a LMP, a aprovação da LMI dependerá da apresentação de formulário específico, cópia do registro profissional do CREA e ART, declaração de rede de esgoto da CEDAE, cronograma de implantação da obra, duas cópias do plano de gerenciamento de resíduos da construção civil e laudo de exigências da CBMERJ. Finalizada esta etapa, para a LMO são necessários os seguintes documentos: formulário, avaliação do nível potencial de pressão sonora, autorização da ANAC, Autorização do DECEA, Certificado de Aprovação do CBMERJ. Deste modo, o licenciamento ambiental vai depender da análise da documentação apresentada em cada fase do processo. De acordo com a Resolução nº 12 (2020), caberá à Secretaria Municipal de Urbanismo, responsável por implementar a lei de uso e ocupação do solo (LUOS), informar se a atividade poderá ou não ser implantada em determinada zona, seguindo uma tendência legislativa da ANAC, quando substituiu a Portaria 1.141 (Brasil, 1987) pela Portaria 256 (Brasil, 2011).

No Rio de Janeiro, existem 56 helipontos que possuem o PBZR na ANAC, conforme explicitado na Tab. 11.

Tabela 11: Helipontos no Rio de Janeiro com PBZR.

	OACI	CIAD	HELIPONTO
1	SDBG	RJ0030	Heliponto Barra Green Rio de Janeiro
2	SNSB	RJ0135	Heliponto Betel Rio de Janeiro

3	SDDO	RJ0032	Heliponto Cândido Mendes Rio de Janeiro
4	SJXQ	RJ0120	Heliponto Cargo Park Rio de Janeiro
5	SWIR	RJ0159	Heliponto CCN Torre Norte Rio de Janeiro
6	SWIO	RJ0158	Heliponto CEO Rio de Janeiro
7	SNYC	RJ0140	Heliponto CICC Rio de Janeiro
8	SIDU	RJ0074	Heliponto Cidade da Polícia Rio de Janeiro
9	SWZK	RJ0173	Heliponto CON - CN - Cidade Nova Rio de Janeiro
10	SWHA	RJ0156	Heliponto Das Américas Rio de Janeiro
11	SIDT	RJ0073	Heliponto Edise Rio de Janeiro
12	SJDA	RJ0099	Heliponto Helicentro do Pontal Rio de Janeiro
13	SJGK	RJ0104	Heliponto Helicentro Guaratiba Rio de Janeiro
14	SSDR	RJ0144	Heliponto Hospital Copa D'OR Rio de Janeiro
15	SNEH	RJ0126	Heliponto Hospital Samaritano Rio de Janeiro
16	SITG	RJ0089	Heliponto INTO Rio de Janeiro
17	SNVW	RJ0139	Heliponto Itanhangá Golf Club Rio de Janeiro
18	SIYV	RJ0095	Heliponto Mário Henrique Simonsen Rio de Janeiro
19	SJFD	RJ0102	Heliponto Méier Medical Center7
20	SNEQ	RJ0127	Heliponto Ouro Negro Rio de Janeiro
21	SWLG	RJ0162	Heliponto Palácio Laranjeiras Rio de Janeiro
22	SNQL	RJ0132	Heliponto Piraquê I Rio de Janeiro
23	SDRJ	RJ0056	Heliponto Prefeitura do Rio de Janeiro Rio de Janeiro
24	SJZK	RJ0123	Heliponto Projac Rio de Janeiro
25	SDAZ	RJ0029	Heliponto Rio Alpha Rio de Janeiro
26	SDRI	RJ0055	Heliponto Rio Sul Center Rio de Janeiro
27	SWSS	RJ0166	Heliponto Sapucaí Rio de Janeiro
28	SJSY	RJ0114	Heliponto SICPA Rio de Janeiro
29	SITN	RJ0090	Heliponto Torre Oscar Niemayer Rio de Janeiro
30	SJGO	RJ0105	Heliponto Privado AGO Rio de Janeiro
31	SNUO	RJ0136	Heliponto Privado Banco Central Rio de Janeiro
32	SNVF	RJ0138	Heliponto Privado Banco Itaú-RJ Rio de Janeiro
33	SNDE	RJ0124	Heliponto Privado BNDES Rio de Janeiro
34	SIJP	RJ0085	Heliponto Privado Bolsa-RJ Rio de Janeiro
35	SDGL	RJ0039	Heliponto Privado Catedral Mundial da Fé Rio de Janeiro
36	SDFQ	RJ0037	Heliponto Privado Centro Empresarial Botafogo Rio de Janeiro
37	SJFD	RJ0102	Heliponto Méier Medical Center Rio de Janeiro
38	SIYQ	RJ0094	Heliponto Privado Centro Empresarial Senado Rio de Janeiro
39	SWCL	RJ0151	Heliponto Privado Clube CEU Rio de Janeiro
40	SDDM	RJ0031	Heliponto Privado Dona Marta Rio de Janeiro
41	SSAS	RJ0142	Heliponto Privado Edifício Serrador Rio de Janeiro
42	SWDX	RJ0154	Heliponto Privado Edifício Torre Almirante Rio de Janeiro

43	SDJE	RJ0045	Heliponto Privado Estádio Olímpico João Havelange Rio de Janeiro
44	SNRG	RJ0133	Heliponto Privado Furnas Centrais Elétricas S/A Rio de Janeiro
45	SWKK	RJ0161	Heliponto Privado Huck Rio de Janeiro
46	SJUK	RJ0176	Heliponto Privado JEQUITIBÁ Rio de Janeiro
47	SNJZ	RJ0129	Heliponto Privado Joatinga Rio de Janeiro
48	SDHL	RJ0041	Heliponto Privado Lagoa Rio de Janeiro
49	SDNU	RJ0049	Heliponto Privado Ministro Nelson Hungria Rio de Janeiro
50	SDMU	RJ0048	Heliponto Privado Multiplan Rio de Janeiro
51	SWTV	RJ0183	Heliponto Privado <i>On Grace</i> Rio de Janeiro
52	SDPG	RJ0052	Heliponto Privado Palácio Guanabara Rio de Janeiro
53	SDPU	RJ0053	Heliponto Privado Paquetá RIO DE JANEIRO
54	SDRE	RJ0054	Heliponto Privado Recreio Rio de Janeiro
55	SIGP	RJ0078	Heliponto Privado Rio - Bravo Rio de Janeiro
56	SIHL	RJ0081	Heliponto Privado Rio Centro Rio de Janeiro

Fonte: ANAC (2018).

Entretanto, a apresentação do PBZR por si só, não autoriza o funcionamento destes helipontos, os quais deverão passar por uma análise criteriosa para confirmar se são realmente helipontos e se as suas instalações obedecem a legislação urbana.

Como se pode observar, a ANAC possui em seu cadastro 56 PBZR do Município do Rio de Janeiro, enquanto na Secretaria Municipal do Meio Ambiente do Rio de Janeiro, só dois helipontos possuem licenciamento. Esses números refletem um período com uma lacuna na legislação, no que tange ao licenciamento de helipontos. Helipontos licenciados anteriormente e que hoje não atendem a legislação, com pedidos de renovação de licença aguardando definição legislativa, continuam em funcionamento, pois requereram o pedido de renovação dentro do prazo. Com a publicação da Portaria MA/SUBMA/CCA nº 01 (Brasil, 2020), alguns desses problemas começam a ser resolvidos. Esta Portaria define os procedimentos para o licenciamento, que passa pela análise de documentos, plantas e estudos, sob a luz de legislações urbanísticas e ambientais.

Os pedidos de licenciamento para implantação de helipontos existentes na Secretaria Municipal de Meio Ambiente (SMAC), apresentam incompatibilidades com relação a conceituação e ao zoneamento. O heliponto da Urca, por exemplo, possui posto de abastecimento e reparo em área de conservação ambiental, se formos analisar, só o ruído já impactaria negativamente o meio ambiente local, como observa-se na Tab. 12.

Tabela 12: Resolução INEA nº 52.

PPIM – Potencial Poluidor Inicial Mínimo. CE – Critérios de Enquadramento.
Portos, aeroportos, rodoviárias e terminais (exceto de petróleo, derivados e gás)

Critérios de Enquadramento	Atividades	PPIM
33.21.20	Implantação ou ampliação de aeroportos e aeródromos	Alto
CE016 33.21.24	Implantação ou ampliação de heliponto.	Baixo
CE016 33.21.23	Implantação ou ampliação de heliponto.	Médio
CE016 33.22.10	Implantação ou ampliação de portos	Médio
CE015 33.21.21	Implantação ou ampliação de terminais de carga aeroportuárias.	Médio
CE016 33.22.30	Implantação ou ampliação de terminais fluviais.	Médio
CE015 33.22.20	Implantação ou ampliação de terminais marítimos.	Médio
CE015 33.21.25	Implantação ou ampliação de terminais rodoviários.	Baixo
CE017 55.41.05	Operações portuárias de movimentação de cargas perigosas	Médio
CE015	e não perigosas.	

Fonte: INEA (2012).

Para exemplificar a necessidade do estudo acerca dos impactos sonoros nas comunidades vizinhas, selecionamos dois helipontos na cidade do Rio de Janeiro, um no solo, no Morro da Urca e outro no topo de edificação da Fundação Getúlio Vargas, os quais serão apresentados nos próximos itens.

5.1

Heliponto Pão de Açúcar – Morro da Urca

O heliponto no solo do Morro da Urca está localizado na primeira etapa da subida de bondinho para o Pão de Açúcar, de onde partem os voos panorâmicos sobre a cidade do Rio de Janeiro. Os turistas desembarcam do bondinho na chegada ao topo do Morro da Urca. Após a visita ao monumento, seguem para o segundo trecho do caminho aéreo do bondinho, o qual os levará para o heliponto para o voo panorâmico sobre os pontos turísticos da cidade.

Identificação do Empreendimento

- Denominação: Helisul Táxi Aéreo Ltda
- Nº do processo da ANAC: 00065.124990.2012-68
- Código OACI SDHU

- Município: Rio de Janeiro – RJ
- Coordenadas Geográficas do Heliponto: 22°57'05''S / 43°09'53''W

O empreendimento está localizado na ZE1– Zona Especial 1 – zona de florestas e áreas de conservação ambiental e o seu entorno é cercado pelas ZR2 e ZR3 – Zonas Residenciais 2 e 3 respectivamente.

A Resolução CONAMA 237 (Brasil, 1997) dispõe em seu Art. 5º - Compete ao órgão ambiental estadual ou do Distrito Federal o licenciamento ambiental dos empreendimentos e atividades:

II - Localizados ou desenvolvidos nas florestas e demais formas de vegetação natural de preservação permanente relacionadas no artigo 2º da Lei nº 4.771, de 15 de setembro de 1965, e em todas as que assim forem consideradas por normas federais, estaduais ou municipais (Brasil, 1997).

No entanto, as competências podem ser compartilhadas desde que haja acordo entre o Município e o Estado.

O Heliponto do Morro da Urca tem seu PBZR autorizado pela ANAC, porém, além da avaliação do impacto sonoro ocasionado pelas aeronaves, existem outros parâmetros a serem considerados para que se concretize o licenciamento. Em consulta efetuada na Secretaria Municipal de Meio Ambiente, o projeto para renovação da licença do heliponto, o qual está localizado acima da cota 100, é uma área considerada não edificante pela legislação urbanística. Além disso, o projeto contempla área para abastecimento e reparo das aeronaves, o que o classificaria como um heliporto. Se for feito um paralelo com a legislação paulista recentemente promulgada, um heliponto não precisaria da autorização da Secretaria Municipal de Urbanismo, a não ser para possíveis construções de apoio a serem legalizadas, mas, as atividades que envolvem abastecimento e, por conseguinte, uso de combustível, teriam que ser licenciadas pelo INEA.

Fatores diversos são avaliados no licenciamento ambiental para implantação e funcionamento de helipontos, entretanto, o foco desta pesquisa se concentra no impacto ocasionado pelo ruído dos helipontos nas comunidades do entorno do empreendimento.

O heliponto está localizado a duzentos metros de altitude, conforme ilustrado na Fig. 23, em área de conservação ambiental, possuindo atividade intensificada pela proximidade com o ponto turístico do Cristo Redentor. O fato de

a área em questão ser área de floresta, se faz necessário um cuidado especial com a fauna, pois, neste item, não existem muitos estudos acerca dos impactos da poluição sonora sobre a fauna. Trata-se também de área de encosta, normalmente sujeita a deslizamentos, onde a vibração advinda da poluição sonora intensificaria o risco. Do ponto de vista econômico existem vantagens, pois o Rio de Janeiro é uma cidade turística, e a atividade é cartão de visitas, mas, estas vantagens não põem suplantar o incômodo sentido pelas populações atingidas pela poluição sonora gerada.



Figura 23: Área do entorno do Heliponto do Morro da Urca
Fonte: Google Maps (2019).

O zoneamento da área onde se localiza o heliponto é ZE, ou seja, Zona Especial (florestas) e as áreas circunvizinhas são as zonas residenciais 2 e 3 – ZR-2 e ZR-3, em cotas inferiores onde são tolerados os níveis de ruídos mais baixos.

Tabela 13: Usos permitidos

Zonas	Usos permitidos	
ZE-1	<i>Non aedificanti</i>	Unifamiliar (loteamentos aprovados)
ZR-2	-Residencial unifamiliar, bifamiliar e multifamiliar	
ZR-3	-Não residencial em edificação de uso exclusivo, com uma só numeração.	

Fonte: (Brasil, 2005).

De acordo com a Tab. 13, a Zona Especial 1 é uma área *non aedificanti*, ou seja, não pode ter nenhuma construção em sua área, exceção aos loteamentos aprovados existentes no local.

No caso da implantação de helipontos, um ponto de pouso e decolagem por si só, sem edificações auxiliares, não configura uma construção, mas o decreto vai além e não permite loteamento ou arruamento de iniciativa particular conforme disposto no Art. 164 do Decreto 322 (Brasil, 1976).

A floresta é o *habitat* de várias espécies de aves, que podem ter a sua existência e formas de viver, alteradas pela dificuldade de se comunicarem entre si, alterando seus hábitos, como o da reprodução, e, conseqüentemente, resultar na diminuição da população das espécies que lá habitam. Além disso, a irritabilidade causada pelo barulho, pode torna-las mais agressivas, levando-as ao encontro dos para-brisas dos helicópteros, os quais podem ceder ao impacto, causando acidentes. Do mesmo modo que as aves, pequenos mamíferos que habitam a floresta também seriam atingidos.

O EVAL apresentado na Secretaria Municipal de Meio Ambiente, o qual apresenta um estudo do impacto sonoro nas áreas vizinhas, não contempla os pontos críticos (PC) no entorno do empreendimento, como observa-se na Fig. 24, onde só são identificadas as curvas de nível, e as curva de ruído. Identificando as áreas abrangidas pelas curvas de ruído, porém, sem a marcação dos pontos críticos, não é possível mensurar os níveis de pressão sonora nas edificações vizinhas ao empreendimento, e nem propor medidas mitigadoras para redução do ruído.

Na área de influência do PZR encontram-se áreas sensíveis a poluição sonora, tais como a Escola Municipal Gabriel Mistral, na Praça Gal. Tibúrcio, 145, a Escola Municipal Minas Gerais, na Avenida Pasteur, 433, a Escola do Comando e Estado Maior do Exército (ECEME), na Praça Gal. Tibúrcio, 125, a Escola de Guerra Naval, na Av. Pasteur, 480, o Centro Educacional da Urca, na Rua Ramon Franco, 79 e a Igreja Nossa Senhora do Brasil, na Avenida Portugal, 772. No sobrevoo a estas áreas, o nível de pressão sonora alcançou 79 dB.

Apesar dos pontos críticos (PC), não estarem locados no Plano de Zoneamento de Ruído, o Estudo de Viabilidade Local realizado pelo empreendedor, assinalou alguns pontos vulneráveis como escolas e mensurou o nível de pressão

sonora destes pontos. De acordo com o estudo realizado, a pressão sonora do ambiente, varia de 61 a 71 dB(A).

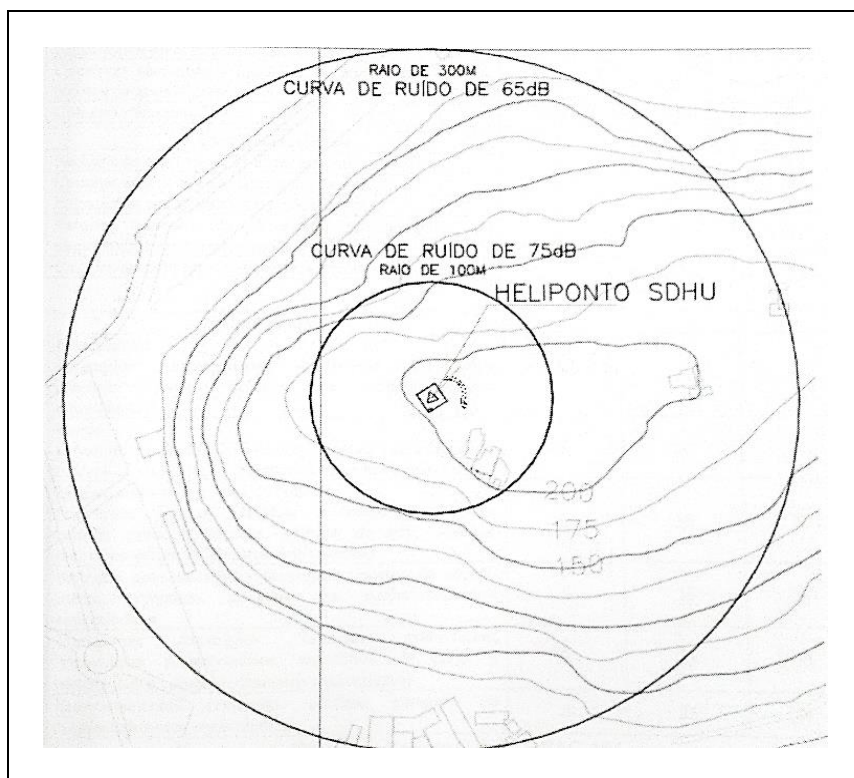


Figura 24: Curvas de Ruído do Heliponto do Morro da Urca- RJ
Fonte: SMAC (2012).

As aeronaves utilizadas no heliponto são: a aeronave Bell 206 *JET RANGERS* 3, a qual comporta, além do piloto, quatro passageiros e a AS350 Esquilo, que comporta, além do piloto, mais cinco passageiros (Fig. 25). No pouso foi medido uma pressão sonora de 88 dB e com o helicóptero parado com motor ligado, 70 dB.



Figura 25: Bell 206 JET RANGERS 3 e AS350 Esquilo
Fonte: Wikimedia e Newsavia (2020).

Algumas medidas mitigatórias para atenuar o impacto sonoro sofrido pelas comunidades vizinhas foram propostas, como o voo alto, velocidades baixas, evitar voo pairado e operar somente no período diurno, das 9:00 h ao pôr do sol, sendo a hora do pôr do sol, definida de acordo com as estações do ano, conforme indicado na Tab. 14.

Tabela 14: Horário e número de voos do heliponto

Meses do ano	Horário de funcionamento	Número de voos por dia
Janeiro e fevereiro	9:00 às 20:00 h	18 a 20
Março e abril	9:00 às 19:00 h	8 a 12
Maio a setembro	9:00 às 17:30 h	5 a 10
Outubro a dezembro	9:00 às 19:00 h	6 a 12

Fonte: SMAC (2012).

Medidas compensatórias como o uso do heliponto para atividades exercidas pelo poder público, tais como fiscalização, resgate e salvamento entre outras, também contribuíram para o Estudo de Viabilidade Ambiental apresentado.

O empreendimento possui autorização da ANAC válida até 12/12/2022 e possui também autorização de sua Zona de Proteção (Portaria DECEA nº 7 DGCEA), além dos certificados de abastecimento d'água e esgotamento emitidos pela CEDAE. A Licença Municipal de Operação (LMO) está em protocolo de tramitação para análise desde 2012. O poder público poderá exigir adequação de suas instalações à legislação atual e medidas mitigadoras e compensadoras afim de evitar o descredenciamento da atividade na área.

Verificou-se no estudo que o nível de pressão sonora nas comunidades vizinhas ao heliponto impacta negativamente, principalmente as áreas mais sensíveis, como as áreas residenciais, de ensino e saúde, agravadas pela frequência dos voos. Um estudo mais detalhado e com a elaboração de medidas mitigadoras eficazes, é desejável para nova submissão.

5.2

Heliponto no topo Fundação Getúlio Vargas

Implantado no topo do Edifício Comercial Torre Oscar Niemeyer, na Praia de Botafogo, nº 186, a 95,00 metros do solo, o Heliponto da Fundação Getúlio Vargas se encontra dentro da área patrimonial do proprietário não possuindo

obstáculos naturais e ou artificiais que impliquem em risco operacional e de segurança. A edificação é afastada das divisas do lote possuindo um pavimento de uso comum e dezenove pavimentos de salas comerciais, além do auditório de três pavimentos de serviço e dois subsolos destinados a estacionamento com 465 (quatrocentos e sessenta e cinco) vagas cobertas e 22 (vinte e duas) vagas descobertas. A Fig. 26 ilustra a área urbana no entorno do Heliponto da Fundação Getúlio Vargas na Praia de Botafogo. O zoneamento para o local é CB1 de ZR3 – Centro de Bairro 1 de zona residencial 3, o qual permite atividade comercial.

Identificação do Empreendimento:

- Denominação: Heliponto Torre Oscar Niemeyer
- N° do processo da ANAC: 00065.003068/2018-23
- ICAO: SITN/PRIVADO
- Município: Rio de Janeiro – RJ
- Coordenadas Geográficas do Heliponto: 22° 56' 27'' S/ 43 ° 10' 47'' W

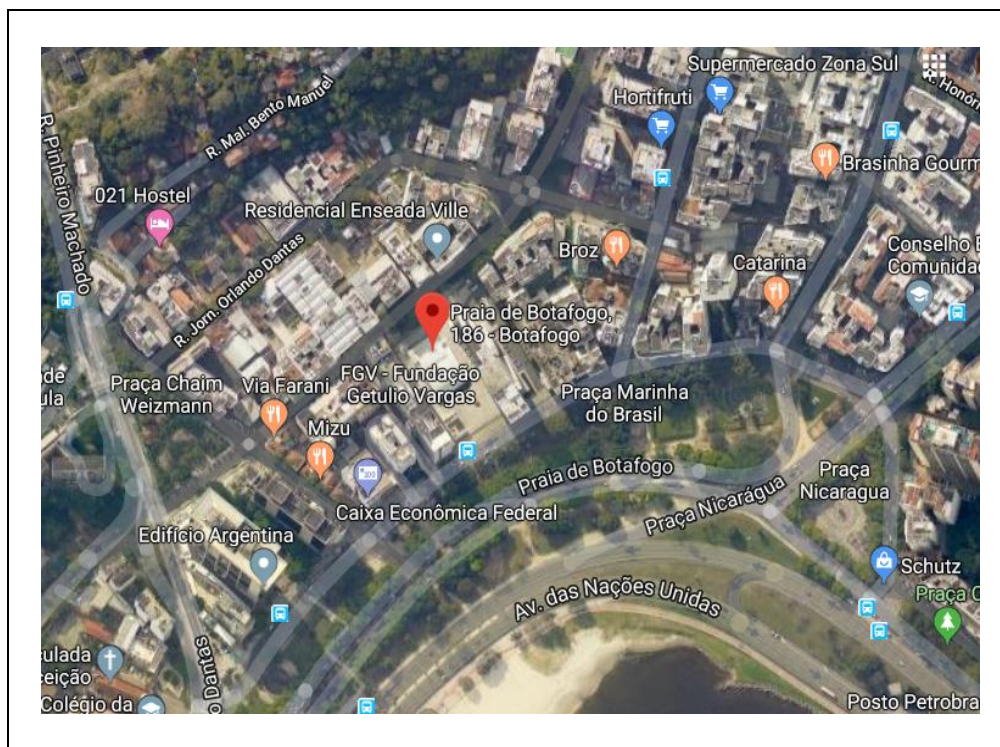


Figura 26: Entorno do Heliponto da FGV
Fonte: Google Maps (2019).

Este heliponto é caracterizado como de uso especial, para uso exclusivo de seus condôminos, não sendo permitida a exploração comercial de pousos e decolagens. Para evitar o sobrevoos de áreas sensíveis ao ruído, considerou-se

somente a rota de pouso e decolagem que ocorre no sentido oposto aos locais de concentração residencial, a Praia de Botafogo.

Foi utilizado na modelagem, por questões técnicas, o helicóptero AIRbus H155, representado na figura 24, adaptado ao programa computacional INM como um modelo similar ao modelo AS365N, com as mesmas características. O nível de ruído dB(A) desta aeronave é 89,91. A Tab. 15 demonstra a proximidade tecnológica do helicóptero que será utilizado no empreendimento, em relação ao utilizado no programa computacional para análise da emissão de ruído emitido pela fonte.

Tabela 15: Helicóptero utilizado no heliponto X helicóptero utilizado no modelo computacional

Características	H 155	AS365N
Tripulação	1 ou 2 pilotos	1 ou 2 pilotos
Nº de passageiros	13 passageiros	12 passageiros
Maior comprimento	14,33 m	14,00 m
Peso vazio	2,618 kg	2,41 kg
Peso máx. de decolagem	4,920 kg	4,300 kg
Motor e potência	2x Turbomeca Arriel 2C2, 697kW cada	2x Turbomeca Arriel 2C2 625 kw cada
Diâmetro rotor principal	12,6	11,94 m
Velocidade máxima	324 km/h	306 km/h

Fonte: SMAC (2018)

A Fig. 27 ilustra a aeronave que irá ser utilizada no empreendimento. Definir o tipo de aeronave é importante para o monitoramento dos níveis de pressão sonora e também para o cálculo estrutural do heliponto. O heliponto foi projetado com uma estrutura mista de concreto (projeto inicial) e metálica (ampliação), para suportar aeronaves de até 4 toneladas ampliada posteriormente para 5 toneladas. A análise a ser feita é se o cálculo estrutural da edificação suportará esta sobrecarga.



Figura 27: Airbus H155
Fonte: Helibrás (2019).

O Estudo de Impacto de Vizinhança realizado pela *ProjAer*, concluiu que o maior impacto é o aumento do ruído de fundo. De acordo com a empresa, o ouvido humano começa a perceber a aproximação de um helicóptero a mais ou menos 600 metros de distância, aumentando de acordo com a aproximação do helicóptero. A conclusão do Estudo apresentado pela empresa, foi que a implantação do heliponto está dentro das normas e o incomodo sonoro dentro dos níveis aceitáveis considerando que a operação de pouso e decolagem possui a duração de 5 minutos. Entretanto, existem edificações no entorno do heliponto, com níveis de pressão sonora acima dos tolerados pela norma.

O Plano de Zoneamento Básico de Ruído do heliponto da Fundação Getúlio Vargas, representado na figura 28, mostra o mapeamento dos receptores críticos (RC) identificados em um raio de 500 metros, em edificações e no sistema viário.

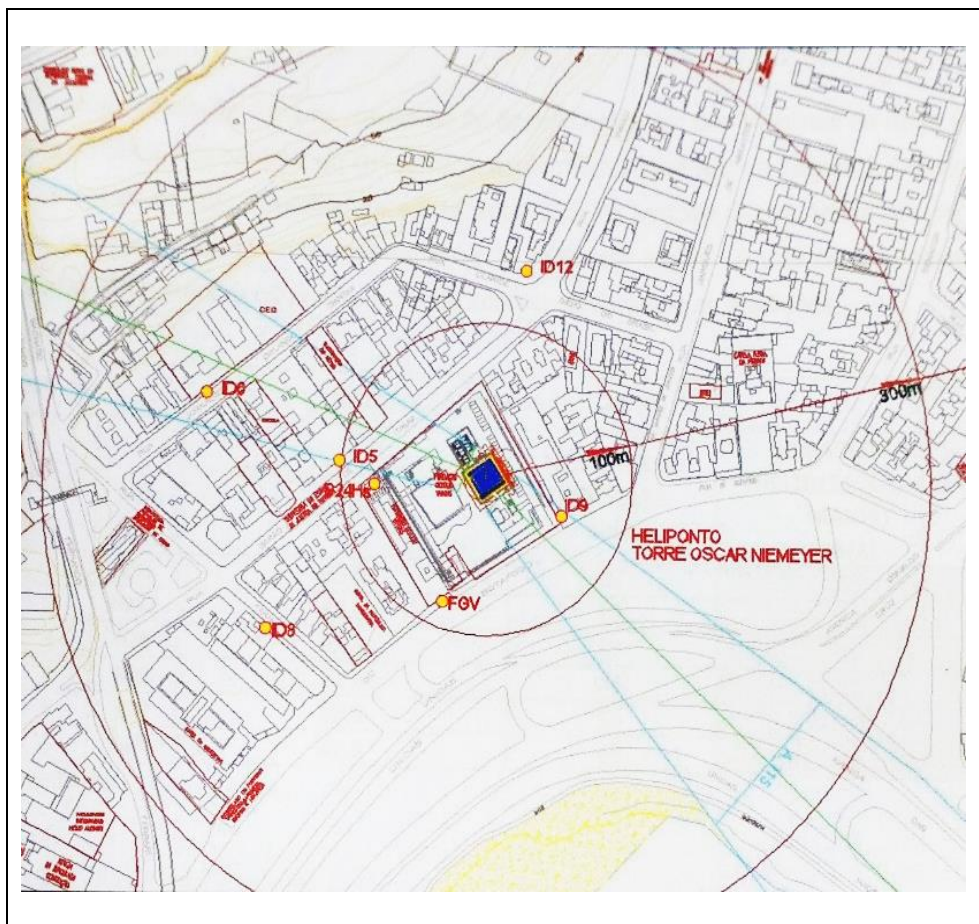


Figura 28: Plano de Zoneamento de ruído do Heliponto da FGV
Fonte: SMAC (2018).

De acordo com a NBR 10.151 (ABNT, 2019) será calculado o nível de pressão sonora em cada ponto (RC) para determinação do número de ciclos, e, tendo

em vista que o funcionamento do empreendimento é limitado ao período diurno. A partir do estudo desse mapeamento realizado pelo empreendedor, foi recomendado o cenário de 2 ciclos por dia. Um ciclo é composto pelo movimento de um pouso e uma decolagem, conseqüentemente, dois ciclos seriam ao equivalente dois pousos e duas decolagens. Diminuindo o número de ciclos, o impacto sonoro seria mitigado.

Segundo medições realizadas nos pontos especificados no entorno do Heliponto, o ruído de fundo, gerado pelo grande tráfego de veículos nas vias principais, somado ao movimento dos helicópteros, varia de 51,9 dB(A) a 77,6 dB(A).

O Estudo de Impacto de Vizinhança realizado afirmou que as rampas de aproximação não interferem no gabarito edilício da região do PBZP, pois o heliponto se encontra acima do gabarito das edificações existentes e possíveis de serem construídas, de acordo com a legislação urbanística da cidade do Rio de Janeiro. Entretanto, nas rotas de pouso e decolagem onde foram traçadas sobre as áreas de aproximação e saída do SITN, também denominadas Rampas de Aproximação e Saída, do Plano de Zona de Proteção aprovadas na ANAC, considerou-se evitar o sobrevoos das áreas sensíveis ao ruído (rampa 13), dando preferência a rota de pouso e decolagem que ocorre no sentido oposto aos locais de concentração de residentes – sentido Praia de Botafogo (rampa 33).

Para facilitar a demonstração da viabilidade da implantação do heliponto com relação a área urbana consolidada, a Fig. 29 foi adaptada do estudo realizado pelo empreendedor. Neste esquema mostra a posição do heliponto e da rampa de aproximação em relação a demais edificações e as vias de trânsito rodoviário. A edificação onde se localiza o heliponto possui 17 pavimentos, aproximadamente 95 metros de altura, e, portanto, na abrangência da curva de ruído de 75 dB. Nesta faixa estão permitidos os usos para a saúde, como hospitais, centros culturais e lazer desde com medidas mitigadoras que reduzam o ruído em 30 dB da pressão sonora. Já os serviços governamentais, de transporte, estacionamento, indústrias, escritórios, comércio atacadista e varejista, serviços de utilidade pública, devem prever uma redução para o ruído de 25 dB. Atividades como a agricultura, criação de animais, mineração, estádios de esporte ao ar livre, ginásios e parques, estão liberadas (ANAC, 2011).

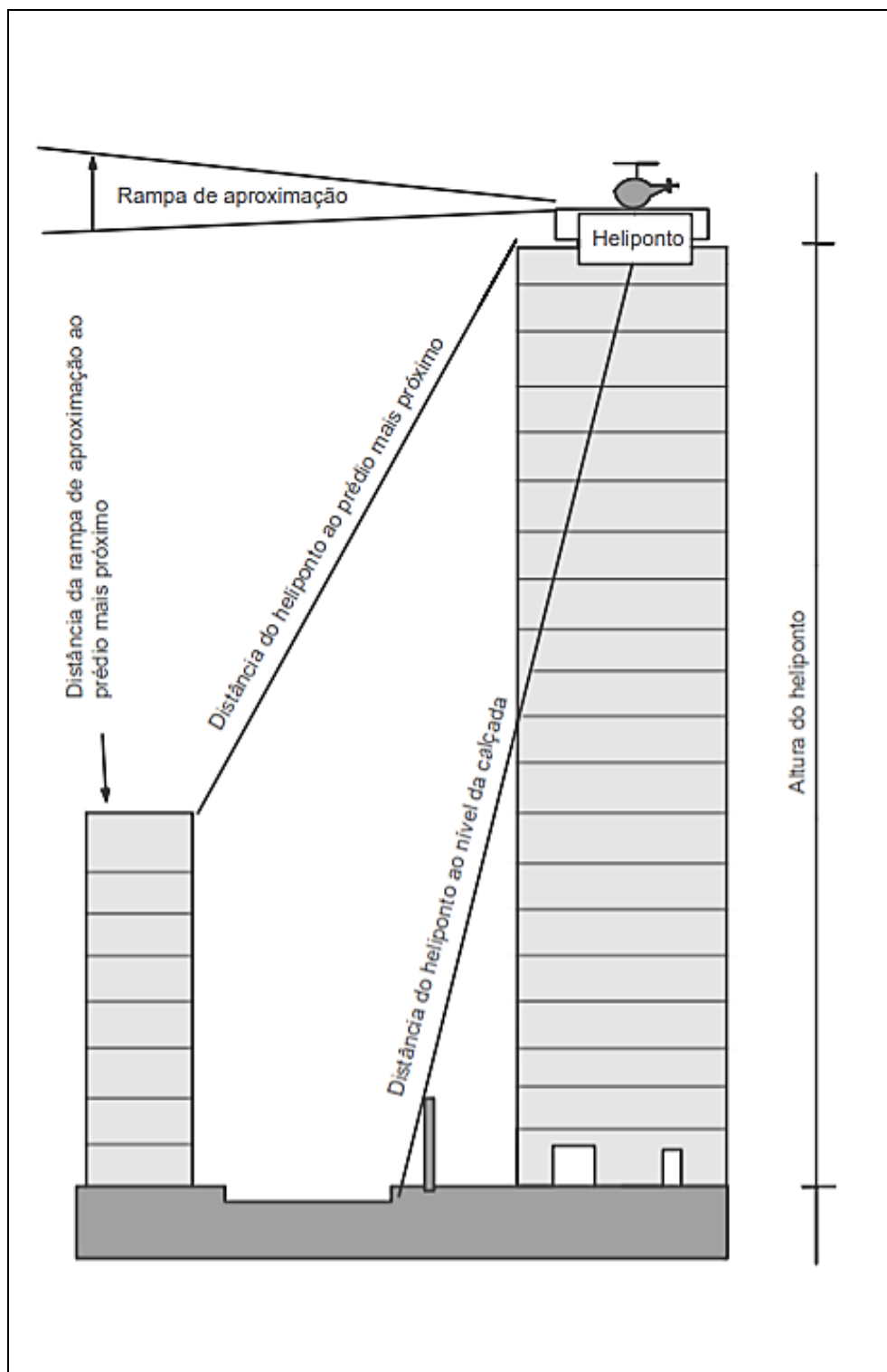


Figura 29: Esquema da localização do edifício mais exposto ao ruído.
Fonte: SMAC (2018).

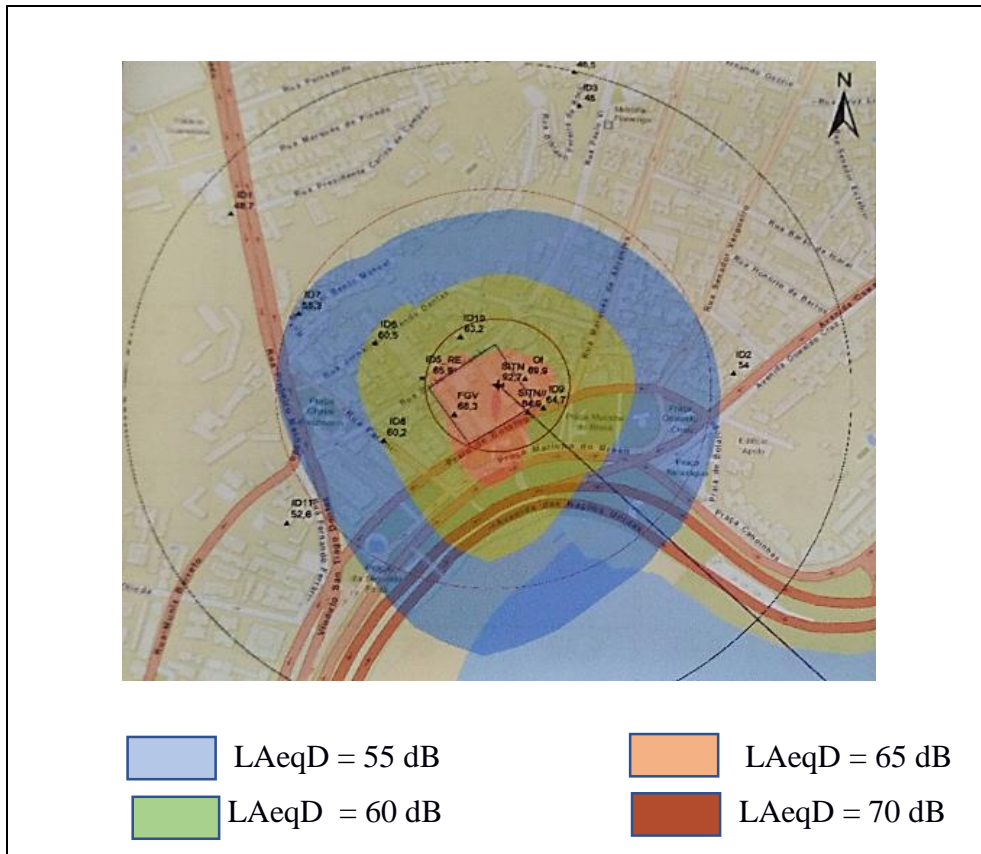


Figura 30: Mapa de Zoneamento de Ruído
Fonte: SMAC (2018).

O imóvel com maior exposição sonora é o mais próximo da rampa de aproximação, para isso, considera-se a proximidade do heliponto e a altura do edifício. Portanto, o Edifício administrativo da operadora Oi, situado na Praia de Botafogo, 166, com 36 metros de altura, possui um nível crítico de exposição sonora em relação ao heliponto. Já o edifício da Fundação Getúlio Vargas, situado na Praia de Botafogo, 190, a uma altura de 45 metros, possui um nível crítico de exposição sonora em relação a rampa de aproximação (Fig. 30).

Tabela16: Medição de pontos sensíveis no PZR

Ponto ID	NBR10151 dB(A)	1 ciclo	2 ciclos	3 ciclos	4 ciclos	5 ciclos	6 ciclos	7 ciclos
		LeqD dB(A)	LeqD dB(A)	LeqD dB(A)	LeqD dB(A)	LeqD dB(A)	LeqD dB(A)	LeqD dB(A)
FGV	70	65	68	70	71	72	73	74
ID5	65	63	66	68	69	70	71	71
ID6	65	58	61	62	64	65	65	66
ID8	72	57	60	62	63	64	65	66
ID9	70	62	66	68	69	69	69	70
ID12	63	58	61	63	64	65	66	67

Fonte: SMAC (2018).

O zoneamento do local é zona residencial 3. O centro de bairro é uma área da zona residencial onde se concentram as atividades comerciais, logo, pode-se considerar, de acordo com a NBR 10.151 (ABNT, 2019), como uma área mista, com vocação comercial e administrativa, cujo limite máximo tolerado de pressão sonora equivale a 60 dB para o período diurno e 55 dB para o período noturno. Porém, na direção da rampa que vai em direção contrária ao mar, as edificações são predominantemente residenciais, o que definiria a área mista predominantemente residencial, o que diminuiria os níveis de tolerabilidade ao ruído para 55 dB no período diurno, e 50 dB no período noturno. Ainda assim, nos pontos mais sensíveis selecionados na Tab. 16, os níveis de pressão sonora estariam, em quase todos pontos, acima dos limites máximos permitidos pela NBR 10.151 (ABNT, 2019).

Em seguida, segue a identificação dos pontos críticos sensíveis locados no mapa de zoneamento de ruído:

ID5- Prédio residencial na Rua Barão de Itambi, nº 34, a 45 metros do solo;

ID6- Prédio Residencial, Rua Jornalista Orlando Dantas

ID8- Prédio Residencial, Rua Farini, próximo ao número 119;

ID9- Prédio Administrativo da Oi, no solo Praia de Botafogo, 166

ID12- Prédio Residencial, Rua Clarice Índio do Brasil

OI- Prédio Administrativo da Oi, Praia de Botafogo, 166, a 36 metro do solo;

SITN- Plataforma do Heliponto, Praia de Botafogo, 186 a 95 m do solo;

SITN- Limite de propriedade da Torre Oscar Niemeyer, no solo, Praia de Botafogo, 186.

Na verdade, o impacto sonoro é relevante, as ações mitigadoras como as restrições de uso, com redução o horário de funcionamento e o número de ciclos é que reduzem o incômodo na área do entorno. O fato de a edificação ser uma das mais altas em uma área urbana consolidada e da rota privilegiar o voo sobre o mar, minimizam o impacto sonoro. Igualmente importante é o número de ciclos limitados a dois, o que torna a exposição ao ruído não contínua. Também importante observar é que não impacta novos empreendimentos, visto que a área já é densamente ocupada, com poucos lotes disponíveis, não impactando de forma negativa nos novos empreendimentos. As edificações mais impactadas devem receber tratamento adequado para que os níveis de pressão sonora sejam reduzidos.

6 Considerações Finais

O espaço urbano é composto por edificações de diversos usos, meios de transporte e atividades antrópicas, sejam decorrentes do trabalho ou lazer, geradoras de ruído. Compatibilizar a poluição sonora com a permanência e das pessoas, levando em conta também a mobilidade urbana, tem sido o trabalho de diversos profissionais das mais diferentes áreas, tais como: arquitetura, engenharias, direito, biologia e gestão ambiental. A implantação de heliponto em áreas urbanas consolidadas constitui um desafio que mobiliza empreendedores, agentes municipais responsáveis pelo licenciamento e fiscalização e profissionais que pesquisam e desenvolvem novas tecnologias ambientais que atuam na redução dos ruídos emitidos pelas aeronaves.

Alguns municípios já elaboraram legislações para legalizar a implantação de helipontos. Em 2018, São Paulo promulgou a Lei 15.703 (Brasil, 2018), regulamentado através do Decreto nº 58.094 (Brasil, 2018), dispôs sobre a instalação de helipontos e heliportos na cidade, diferenciando-os. Por exemplo, os helipontos não precisariam de licença da Secretaria de Urbanismo, pois seria só um ponto para aterrissagem e decolagem, mas, se na sua implantação estivessem incluídas edificações de apoio, estas teriam que ser licenciadas pelo Urbanismo. A lei estabelece também vedações quanto ao zoneamento. Nas áreas residenciais e de conservação estaria proibido a implantação de helipontos, assim como no topo de edificações residenciais. Do mesmo modo, a Prefeitura de Porto Alegre, no Artigo 9º do Projeto de Lei Complementar 770 (Brasil, 2015), regulamentou as áreas onde seriam vedadas a instalação de helipontos, tais como áreas predominantemente residenciais, reservas biológicas e áreas de parque natural. Problemas em áreas de conservação ou acima da cota 100, consideradas pela legislação do Rio de Janeiro como não edificantes, não podem abrigar edificações e por se tratarem de ZE – Zona Especial, estando restritas quase todas as atividades e usos. Apesar de não estar explícita pela legislação ambiental específica, a proibição de instalação de helipontos em áreas de conservação ambiental, a legislação urbanística, responsável

pela autorização da localização de atividades, veda qualquer construção nestas áreas.

No Rio de Janeiro o projeto de Lei complementar nº 79 (Brasil, 2012) dispunha sobre o uso e a ocupação do solo para aprovação de helipontos no Rio de Janeiro, estabelecendo que em determinadas zonas como a zona residencial, seria vedado a instalação desse empreendimento. Mas seguindo uma tendência da ANAC, a legislação ambiental, não estabeleceu critérios quanto ao zoneamento, deixando a cargo da Secretaria Municipal de Urbanismo, a determinação das zonas que estariam aptas para receber esses empreendimentos. A Portaria nº 1.141 (ANAC, 1987), previa restrições em determinadas zonas o que não acontece na Portaria nº 256/GC5 (ANAC, 2011), a qual não restringe a zona a ser implantado o heliponto, mas a zona de segurança limitada pelas curvas de ruído, identificando se existem atividades incompatíveis com o empreendimento, o que causa outro problema, pois os lotes vagos, existentes no entorno, não poderão ser edificados ou terão seus usos restringidos, tornando a propriedade desvalorizada por ser não edificante ou ter sua capacidade edilícia com o uso e atividades restritas.

Atualmente, foi publicada a Portaria MA/SUBMA/CCA nº 01 (Brasil, 2020) com a listagem de documentos a serem apresentados para o licenciamento, acompanhado de certa discricionariedade na análise dos projetos por parte do município.

Há uma tendência no planejamento urbano de misturar os usos, determinando zonas mistas, o que está em sintonia com as disposições contidas na Portaria 256 (ANAC, 2011), que avalia o impacto sonoro nas edificações existentes, sem determinar restrições quanto ao zoneamento, como disposto na antiga Portaria 1.171 (ANAC, 1987).

Na cidade do Rio de Janeiro, quase todas as zonas da cidade, permitem a tipologia residencial, isto inviabilizaria a implantação de helipontos, se não fosse permitida alguma forma de compensação urbanística, tal como a Transferência do Direito de Construir ou mesmo a aquisição de imóveis pelo empreendedor. Instrumentos do planejamento urbano, são poderosos aliados do licenciamento ambiental e na defesa do direito à propriedade, previsto no Artigo 5º da Constituição Federal (Brasil, 1988).

O avanço nas pesquisas para redução do ruído emitido pelas aeronaves, obteve como resultado, a diminuição da poluição sonora no entorno dessas áreas, e, esse avanço tecnológico trouxe mudanças significativas na legislação aérea e urbana.

As questões protetivas do meio ambiente aumentaram e com elas, os cuidados com a saúde das comunidades expostas a poluição sonora. Investimentos em tecnologias que proporcionem a melhoria da qualidade de vida, e a participação da comunidade são grandes aliados no controle da poluição.

Cada heliponto realiza um Estudo de Impacto de Vizinhança, que prevê um plano de medidas mitigadoras e compensadoras. Dentre medidas mitigadoras, o voo panorâmico com menor efeito de ruído (arrasto de som), o qual teria como objetivo reduzir os efeitos do ruído dos helicópteros no sobrevoo as áreas sensíveis. Algumas manobras que visam a redução das velocidades também são recomendadas pois, as velocidades baixas são menos ruidosas do que as velocidades altas, assim como as decolagens mais íngremes são mais silenciosas do que as próximas ao solo. Evitar voo pairado durante longos períodos ou operações com motor a pleno (100%) e evitar ou diminuir voos pairados sobre o lugar de pouso. Os movimentos de controle devem ser graduais e suaves. Na decolagem e na subida, decolar em potência máxima, mantendo a melhor razão de subida. Evitar rotas de decolagem diretamente sobre áreas ou instalações sensíveis a ruídos. Manter as áreas sensíveis a ruído no centro de qualquer curva. Na rota e cruzeiro, operar somente em rotas sobre corredores permitidos e predeterminados, a menos que seja necessário para o cumprimento da missão, manter sempre a altitude de 1000 pés acima de uma distância lateral de 1000 pés de áreas ou instalação sensíveis a ruídos.

Com relação ao plano de medidas compensatórias, as concessões ao poder público, com objetivo a beneficiar a comunidade vizinha, diretamente afetada pela atividade, não diminui a poluição sonora, nem tampouco diminui o incômodo gerado. Podemos citar a disponibilização da estrutura do heliponto para operações na área de segurança pública e canais de comunicação; ou em operações diurnas e noturnas no caso de emergências ou situações esporádicas, para resgate e salvamento, emergência, fiscalização ambiental e ou incêndios. As campanhas de educação ambiental também fazem parte do rol dessas medidas.

A Transferência do Direito de Construir também pode ser citada como uma medida compensatória, mas carece de estudos e legislação específica autorizando a utilização desse instrumento. Prevista nos Artigos 85 a 88 da LC 111 (Brasil, 2011), que institui o Plano Diretor do Município do Rio de Janeiro, as áreas em que este instrumento pode ser aplicado devem estar definidas em lei, assim como o empreendimento deve ser considerado como equipamento público de transporte ou estar a edificação incluída em área de preservação ambiental ou paisagística.

Todas as questões que envolvem os instrumentos da Política Nacional do Meio Ambiente e do Planejamento Urbano, em conjunto com desenvolvimento tecnológico, tornaram possível que regulamentos fossem elaborados, contribuindo para uma melhor análise no licenciamento de helipontos.

6.1 Recomendações Futuras

Para recomendações futuras, a aplicação de estudos multidisciplinares acerca as novas tecnologias e regulamentos, tais como:

- 1- Incentivar o incremento das pesquisas que tratam do ruído na fonte, ou seja, nas aeronaves, o uso de equipamentos para os profissionais que atuam junto aos helicópteros.
- 2- Observar a especificidade da poluição sonora no Legislação ambiental, a qual não deixa resíduos, mas causa danos à população exposta, à fauna e à flora, incentivando pesquisas sobre a saúde e meio ambiente;
- 3- Estudar os instrumentos do Planejamento Urbano como medidas potenciais para compensação de restrições edilícias advindas da poluição sonora.
- 4- Avaliar a diminuição da produtividade em termos trabalhistas em decorrência das faltas e afastamentos e o impacto na economia, com o desenvolvimento de EPIs – Equipamentos de Proteção Individual.
- 5- Estudar a mobilidade urbana, avaliando este tipo de transporte e sua relevância.

Novas tecnologias que aumentam a performance das aeronaves e diminuem o ruído, trabalham com perspectivas para futuros licenciamentos. Estudos apontam uma redução de até cinco dB no nível de ruído das aeronaves. Muitas expectativas estão sendo avaliadas em torno de estudos de motores elétricos entre outras

inovações. A malha urbana, mesmo as mais consolidadas, se transformam e se adequam as novas demandas advindas do mundo econômico e tecnológico. Outros meios de transporte, como por exemplo os automóveis, que antes emitiam níveis de ruído bastante ruidosos, hoje são bem silenciosos, consequência de modificação no tipo de motores, *design* e combustível. Neste cenário urbano dinâmico, de grande avanço tecnológico, a tendência é que a poluição sonora tenha uma redução substantiva, permitindo um desenvolvimento sustentável para as cidades.

Referências Bibliográficas

ABNT, NBR 10.151/2019 - **Avaliação do ruído em áreas habitadas visando o conforto da comunidade.**

_____, NBR 10.152/1987. **Níveis de ruído para conforto acústico.**

ALVES, C. J. P. Módulo 12 – **Helipontos**. 26 de maio de 2018. ITA/CTA - Instituto Tecnológico da Aeronáutica. São José dos Campos, SP.

ANAC. Portaria Nº 256/GM5 de 13 de maio de 2011. **Dispõe sobre as restrições relativas às implantações que possam afetar a segurança das operações aéreas.**

_____, RBAC 161 – Regulamento Brasileiro de Aviação Civil nº 161: de 28 de setembro de 2011. **Dispõe sobre os Planos de Zoneamento de Ruído e questões relacionadas ao ruído aeronáutico na aviação civil.**

_____, RBAC 155 – Regulamento Brasileiro de Aviação Civil nº 155: de 16 de maio de 2018. **Dispõe sobre as características físicas do heliponto.**

_____. Portaria nº 1.141/GM5 de 08 de dezembro de 1987. **Dispõe sobre as restrições relativas às implantações que possam afetar a segurança das operações aéreas.**

_____, RASO – Relatório de Segurança Operacional de 2017

APHESP – ASSOCIAÇÃO DE PILOTOS DE HELICÓPTEROS DE SÃO PAULO - HAI– **Programa de Redução de Ruído elaborado pela HAI - Helicopter Association International** – Manual para Pilotos de Helicóptero, 2009.

BENTES, F. M. **Contribuição à análise de sensibilidade do ruído de aeronaves de carga utilizando simulação computacional e sistemas de informação geográfica.** Tese de doutorado. Rio de Janeiro: UFRJ/COPPE, 2013.

BRASIL. **Agenda 21 de 2002** – Disponível em: <<https://www.mma.gov.br/responsabilidade-socioambiental/agenda-21>>. Acesso em: 18 set. 2019.

_____. Indicação CONSEMAC nº 33/2013, de 19 de agosto de 2013. **Dispõe sobre a criação de grupo de trabalho para estabelecer critérios quanto a localização, construção, utilização e licenciamento de heliponto no município do Rio de Janeiro.**

_____. Norma Regulamentadora nº 15. NR 15. **Dispõe sobre Atividades e Operações Insalubres.** Ministério do Trabalho. Departamento de Segurança e Saúde do Trabalho. 1978.

_____. **Constituição da República Federativa do Brasil**, 1988. Disponível em: <http://www.planalto.gov.br/ccivil_03/constituicao/constituiacao.htm>. Acesso em: 20 set. 2019.

_____. Lei nº 126 de 10 de maio de 1977. **Dispõe sobre a proteção contra a poluição sonora, estendendo a todo estado do Rio De Janeiro, o disposto no decreto lei nº 112 de 12 de agosto de 1969.**

_____. Lei nº 6.766/1979. **Dispõe sobre o Parcelamento do Solo Urbano e dá outras providências.** Disponível em: < http://www.planalto.gov.br/ccivil_03/LEI S/L6766.htm>. Acesso em: 10/01/2020.

_____. Lei 6.938/1998. **Dispõe sobre a Política Nacional do Meio Ambiente.** Disponível em: < http://www.planalto.gov.br/ccivil_03/LEIS/ L6938.htm>. Acesso em: 20 set. 2019.

_____. Lei 10.257/2001. **Estatuto das cidades.** Regulamenta os arts. 182 e 183 da Constituição Federal, estabelece diretrizes gerais da política urbana. Disponível em: <http://www.planalto.gov.br/ccivil_03/leis/leis_ 2001/l10257.htm>. Acesso em: 20 set. 2019.

_____. Lei nº 15.003, de 23 de outubro de 2009. **Estabelece diretrizes e normas referentes à construção, instalação, reforma, ampliação e utilização de aeródromos, heliportos e helipontos no território municipal,** de acordo com a Lei n 13.430, de 13 de setembro de 2002 e dá outras providências.

_____. Lei 6179 de 22 de maio de 2017. **Dispõe medidas para o combate eficaz à poluição sonora no município do Rio de Janeiro.**

_____. Lei Complementar 140 de 08 de dezembro de 2011. **Fixa normas, nos termos dos incisos III, VI e VII do caput e do parágrafo único do art. 23 da Constituição Federal, ... e altera a Lei nº 6.938, de 31 de agosto de 1981.**

_____. Decreto nº 14.573/2004 - **Dispõe sobre a instalação de aeródromos destinados a helicópteros no Município de Porto Alegre e dá outras providências.**

_____. Decreto nº 38.259 de 14 de janeiro de 2014. **Cria grupo de trabalho para estabelecer critérios quanto a localização, construção, utilização e licenciamento de heliponto.**

_____. Decreto Nº 58.094, de 21 de fevereiro de 2018. **Regulamenta a Lei nº 15.723,** de 24 de abril de 2013, no tocante à instalação e ao funcionamento de heliportos e helipontos no Município de São Paulo.

_____. Resolução SMAC nº 588 de 4 de maio de 2015. **Estabelece critérios para o licenciamento ambiental municipal de helipontos no município do Rio de Janeiro.**

_____, Resolução INEA nº 52. PPIM – **Potencial Poluidor Inicial Mínimo. CE – Critérios de Enquadramento.** Portos, aeroportos, rodoviárias e terminais (exceto de petróleo, derivados e gás) Rio de Janeiro, 2012.

_____, Portaria MA/SUBMA/CCA nº 01 de 31/01/2020. **Estabelece os documentos a serem apresentados na ocasião dos requerimentos das Licenças Municipais Prévia (LMP), de Instalação (LMI) e de Operação (LMO) de helipontos e heliportos.** Rio de Janeiro.

_____, Projeto de Lei Complementar nº 770 de 21 de setembro de 2015. **Estabelece normas para a implantação de helipontos no município de Porto Alegre.**

CHEDIAC, D. A. P. **O Helicóptero para Pilotos e Mecânicos: Teoria do voo. Conhecimentos Teóricos.** Ed. Eapac, 1989.

CONAMA – Conselho Nacional Do Meio Ambiente. Resolução CONAMA nº 01, de 23 de janeiro de 1986. **Vincula o licenciamento de atividades modificadoras do meio ambiente à elaboração do EIA RIMA a serem submetidos a aprovação do órgão competente.** Brasília IBAMA, 1986.

_____. Conselho Nacional Do Meio Ambiente. Resolução CONAMA nº 02 de 1984/1990. **Dispõe sobre o Programa Nacional de Educação e Controle da Poluição Sonora – Silêncio.** Brasília IBAMA 1990.

_____. Conselho Nacional Do Meio Ambiente. Resolução CONAMA nº 04, de 9 de outubro de 1995. **Cria a área de segurança aeroportuária (ASA), estabelecendo restrições especiais sobre o uso da terra de propriedades vizinhas dos aeródromos.** Brasília: IBAMA, 1995.

_____. Conselho Nacional do Meio Ambiente. Resolução CONAMA nº 237 de 1984/1990. **Dispõe sobre licenciamento ambiental.** Brasília IBAMA 1990.

CONEMA – Conselho Estadual do Meio Ambiente do Rio de Janeiro. Resolução CONEMA nº 42 de 17 de agosto de 2012. **Dispõe sobre as atividades que causam ou possam causar Impacto Ambiental Local.**

COSTA, M. A. S. **Ruído de helicóptero na cidade de São Paulo.** Revista Brasiliense. Disponível em: <http://www.brasilengenharia.com/portal/images/stories/revistas/edicao_633/mat_acustica_633.pdf>. Acesso em: 14 nov. 2019.

DINATO, A. C.; SCHAAL, R. **Simulação do ruído sonoro no entorno do aeroporto de Ribeirão Preto.** Journal of Transport Literature, vol 8, nº 1. Manaus, Janeiro, 2014.

EASA – European Aviation Safety Agency. Disponíveis em: <<https://www.easa.europa.eu/certification/type-certificates/aircraft.php>>. Acesso em: 22 nov. 2019.

FERNANDES, J.C. **Acústica e Ruído.** Faculdade de Engenharia - Deptº de Engª Mecânica - Lab.de Acústica e Vibrações: UNESP- Campus de Bauru - Setembro 2002.

FERREIRA, G. **Roteiro de Aula 05 Saber Direito.** Disponível em <http://www.stf.jus.br/repositorio/cms/portalTvJustica/portalTvJusticaNoticia/anexo/roteiro_aula_05__1_Georges_Ferreira.pdf>. Acesso em 08 out. 2019.

FIOCRUZ – Fundação Oswaldo Cruz. **Campanha alerta para um dos principais problemas ambientais do século XXI: o ruído.** Rio de Janeiro: 2015. Disponível em: <<https://portal.fiocruz.br/pt-br/content/campanha-alerta-para-um-dos-principais-problemas-ambientais-do-seculo-xxi-o-ruído>>. Acesso em: 09 out. 2019.

FURTADO, F.; RABELLO, S.; BACELLAR, I. **Transferência do Direito de Construir**: Caderno Técnico de Regulamentação e Implementação: 6 vol. Coleção Cadernos Técnicos de Regulamentação e Implementação de Instrumentos do Estatuto da Cidade. Ministério das Cidades, 2017.

GAMA, A. P. **Avaliação do impacto sonoro do tráfego de helicópteros em áreas urbanas**. Tese de Doutorado, CPEE/UFRJ, pp 21-27; 101 -147, Rio de Janeiro, 2012.

GERGES, S. N. Y. **Ruído: Fundamentos e Controle**. 2ª ed. Florianópolis: NR Editora, 2000, 676p.

ICAO. International Civil Aviation Organization, 2007, **Environmental Report**. EUA. INFRAERO, 1990, Ato Administrativo 193/SEDE/90. Brasil.

ICAO Circular 205, **“Recommended Method for Computing Noise Contours Around Airports”**, 1988.

ICAO (1988) **Aircraft Noise** – Balanced Approach. Annex 16, 3 ed.

MACHADO, A. J.; REISDORFER, M. L. **Conhecimento geral dos helicópteros: livro didático**. Palhoça: Unisul Virtual, 2011. 202 p.: il.; 28 cm. ISBN 978-85-7817-386-9.

MICHALSKI, R. L. X. N. **Conforto Ambiental em Espaços Urbanos Abertos**. USP-FAU.

PEREZ, J.L.R. **Poluição Sonora**. Disponível em: <http://awmueller.com/pdf/saude_cortisol_poluicao_sonora.pdf> Acesso em: out., 2019.

RAIMBAULT, M., LAVANDIER, C.; BÉRENGIER, M. **Ambient sound assessment of urban environments: field studies in two French cities**, 2003. Applied Acoustics, 64(12), 1241-1256. Disponível em: <[http://dx.doi.org/10.1016/S0003-682X\(03\)00061-6](http://dx.doi.org/10.1016/S0003-682X(03)00061-6)>. Acesso em: 20 set. 2019.

RIBAS, A., SCHMID, A., RONCONI, E. **Topofilia, conforto ambiental e o ruído urbano como risco ambiental: a percepção de moradores dos setores especiais estruturais da cidade de Curitiba**, 2010. Desenvolvimento e Meio Ambiente, 21, 183-199. Disponível em <<http://dx.doi.org/10.5380/dma.v21i0.15599>>. Acesso em: 05 set. 2019.

RODRIGUES, P. S. **Helicóptero: conhecimentos técnicos, noções fundamentais**. Editora Asa. Brasil, 2006. ISBN 9788586262197.

ROMITI, D. **O valor do negócio de helicópteros, entrevista**. On Air, Edição 13: Novo começo para o helicóptero. Fevereiro, 2017.

SAE AIR 1845. **Procedimento para cálculo de ruído de aeronaves nos arredores dos aeroportos**. Documento elaborado pela Comissão SAE A-21 sobre ruído das aeronaves. Society of Automotive Engineers - SAE. 1986.

SANTOS, D. N. **Análise do ruído sonoro no entorno de grandes aeroportos:** um estudo de caso do Aeroporto Internacional de São Paulo. Boletim Gaúcho de Geografia, v. 42, n. 1, jan, 2015.

SCHVARSBURG, B.; MARTINS, G. C.; CAVALCANTI, C. B. **Estudo de Impacto de Vizinhança.** Coleção Cadernos Técnicos de Regulamentação e Implementação de Instrumentos do Estatuto da Cidade, vol. 4. Ministério das Cidades. Brasília, 2016.

SCATOLINI, F. **Mini curso de ruído aeronáutico.** ITA, 2013.

SCHULTZ, T.J. **Synthesis of social surveys on noise annoyance.** Journal of the Acoustical Society of America, v. 64, n. 2, p. 377 – 405, 1978.

SEDDON, J. **Basic Helicopter Aerodynamics.** BPS professional books. Oxford, London. Edinburgh. Boston Melborn, 1990. British Library. ISBN 0-632-02032.

SÉRVULO. **Apostila de helicópteros.** Conhecimentos Técnicos. Notas de estudo de enfermagem. Disponível em: <docsity.com/pt/apostila-de-helicopteros-conhecimentos-tecnicos/4869950/>. Acesso em: 01 nov. 2019.

SILVA, J. A. **Direito Urbanístico Brasileiro** – Ed. Malheiros, 5ª ed, 2008.

SLAMA, J. G. **Instrumentos para o controle do ruído aeroportuário no Brasil.** UFRJ, 2017.

SMAC – Secretaria Municipal do Meio Ambiente. **Processo nº 26/510.018/2018.** Rio de Janeiro, 2018.

_____. Secretaria Municipal do Meio Ambiente - **Processo nº 14/200.623/2012.** Rio de Janeiro, 2012.

SVMA – Secretaria Municipal do Verde e do Meio Ambiente. **As Ações da SVMA/DECONT no Controle da Poluição Sonora.** São Paulo, 2014.

USP - FAU. **Ruído e Acústica Urbana.** Desempenho Acústico, Arquitetura e Urbanismo. Departamento de Tecnologia de Arquitetura. Disponível em <https://edisciplinas.usp.br/pluginfile.php/4474126/mod_resource/content/0/10%20-%20Ruído%20e%20Acústica%20Urbana.pdf>. Acesso em 05 out. 2019.

WEBSTER, M. F. Ruído. Disponível em: <http://www.acm.org.br/acm/acamt/documentos/curso_prova_titulo/modulo6/aularuido_prof_marcelo_2.pdf>. Acesso em 26 nov. 2019.

WHO - World Health Organization. **“Community Noise”.** Stockholm: Center for Sensory Research, 1999.

ZAJARKIEWICZ, D. F. B. **Poluição Sonora Urbana:** principais fontes, aspectos jurídicos e técnicos. Dissertação de Mestrado PUC-SP, 2010.

SITES CONSULTADOS

<http://www.aerospaceweb.org/question/helicopters/q0034.shtml>

<http://anac.gov.br>

<http://commons.wikimedia.org>

<http://newsavia.com>

<https://www.helibras.com.br>

<http://portalsaofrancisco.com.br>

<http://www.google.com.br>